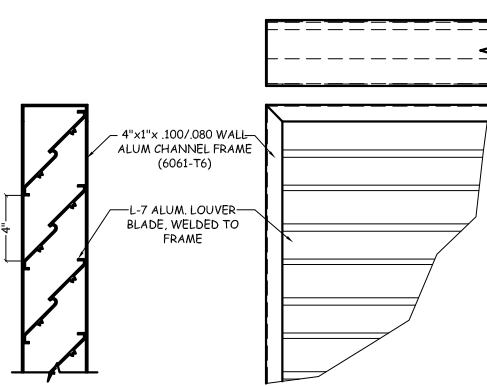
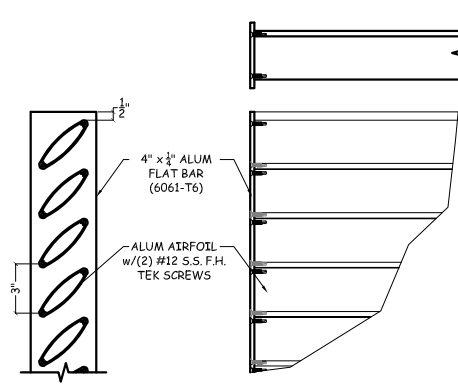


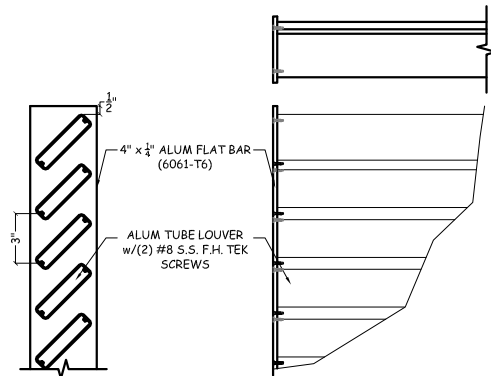
INFILL OPTION #1
L-1 LOUVER BLADE



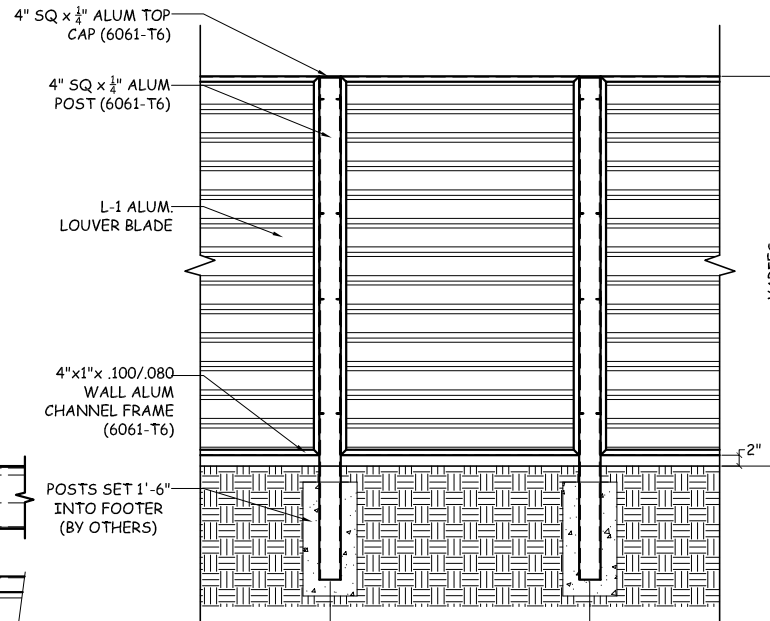
INFILL OPTION #2
L-7 LOUVER BLADE



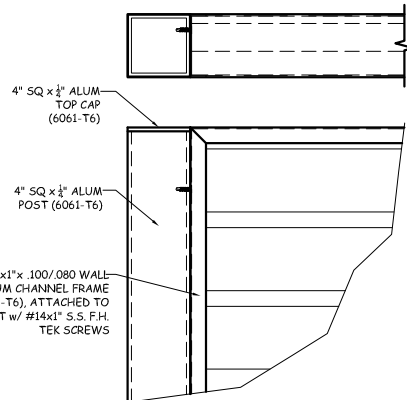
INFILL OPTION #3
AIR FOIL



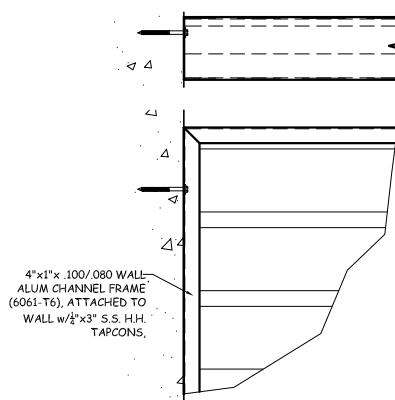
INFILL OPTION #4
TUBE LOUVER



G-LW1 - SCREEN WALL ELEVATION



CONNECTION OPTION #1
POST MOUNTED
(FREE STANDING)



CONNECTION OPTION #2
WALL MOUNTED
(IN OPENING)

General Notes

No.	Revision/Issue	Date

GRECO
A CSW Industrials Company
9410 EDEN AVE., HUDSON, FL 34667
Phone: 727-372-1100 Fax: 727-853-2724
www.grecorollings.com

Project Name and Address

GRECO STANDARD
STYLE G-LW1
SCREEN WALL

Drawn STANDARDS	Sheet 1
Date 8/13/21	OF 1
Scale N.T.S.	