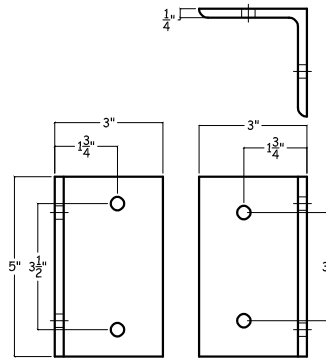
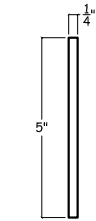


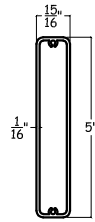
TOP SUPPORT BRACKET



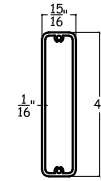
BOTTOM SUPPORT



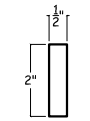
OUTRIGGER



FACIA TUBE



TUBE LOUVER

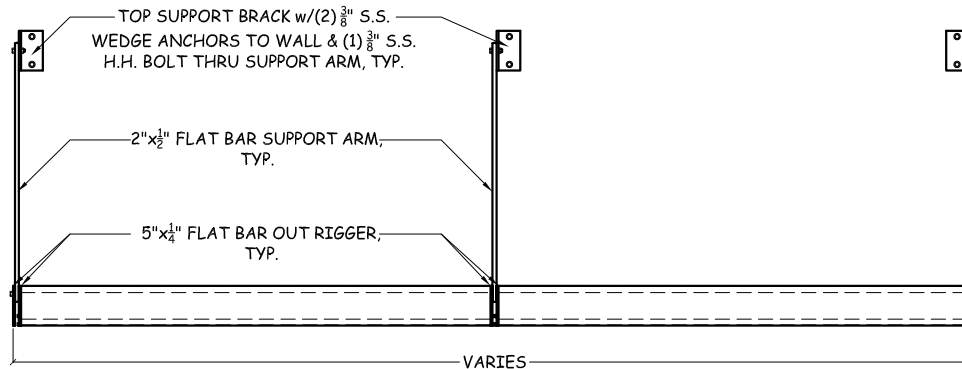
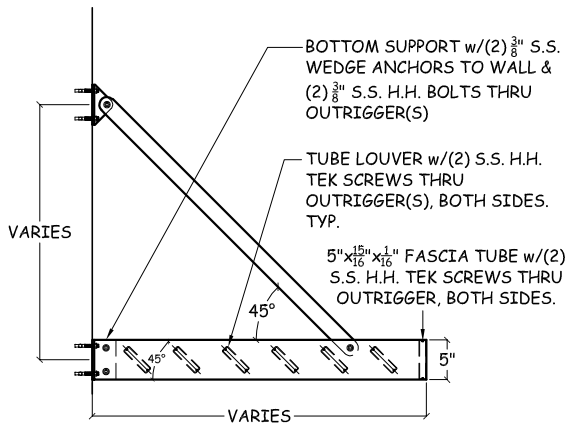
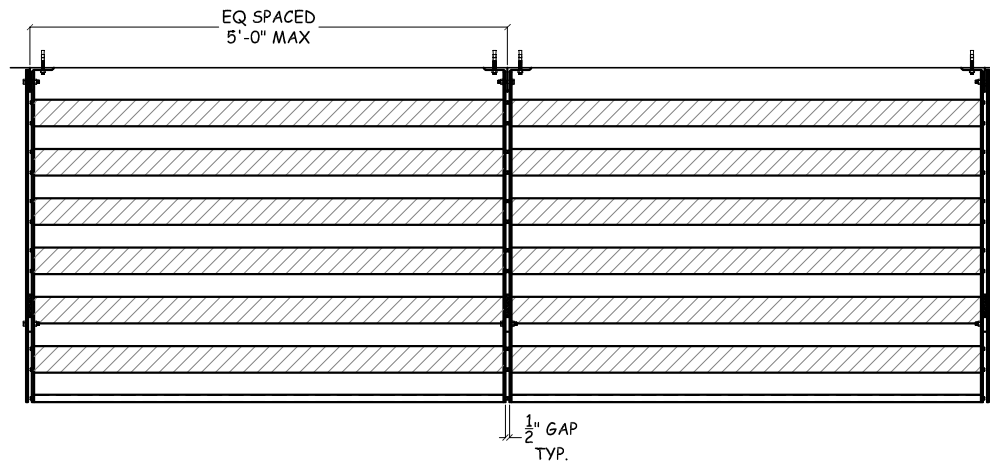


SUPPORT ARM



ALTERNATE AIR FOIL

ALUMINUM MATERIAL



G-SS1
SUNSHADE

General Notes

No.	Revision/Issue	Date

GRECO
A CSW Industrial Company
9410 EDEN AVE., HUDSON, FL 34667
Phone: 727-372-1100 Fax: 727-853-2724
www.grecorollings.com

Project Name and Address
**GRECO STANDARD
STYLE G-SS1
SUNSHADE**

Drawn STANDARDS	Sheet 1
Date 8/3/21	OF 1
Scale N.T.S.	