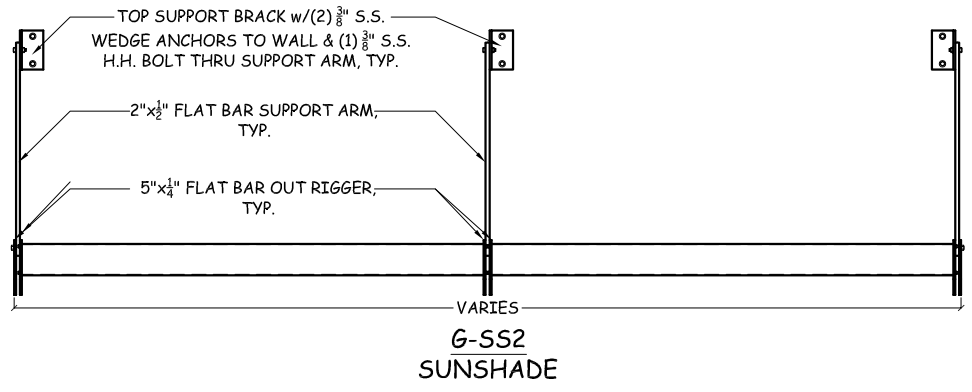
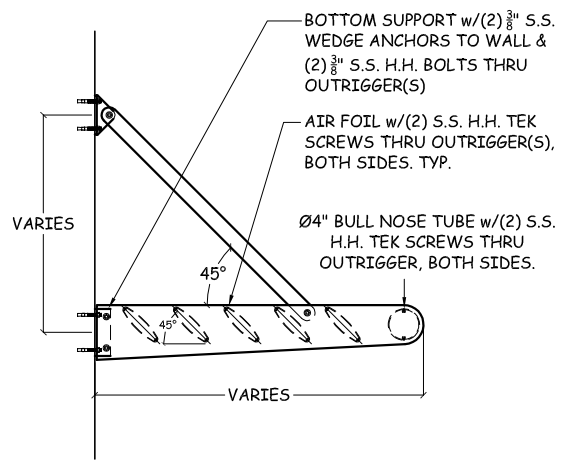
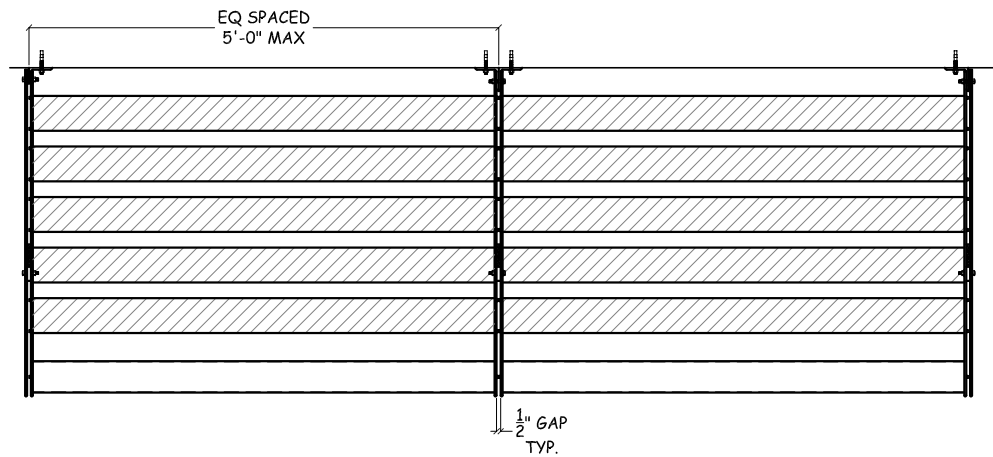


ALUMINUM MATERIAL



No.	Revision/Issue	Date


 A CSW Industrial Company
 9410 EDEN AVE., HUDSON, FL 34667
 Phone: 727-372-1100 Fax: 727-863-2724
 www.grecorollings.com

Project Name and Address
GRECO STANDARD
STYLE G-SS1
SUNSHADE

Title STANDARDS	Sheet 1
Date 8/3/21	OF 1
Scale N.T.S.	1