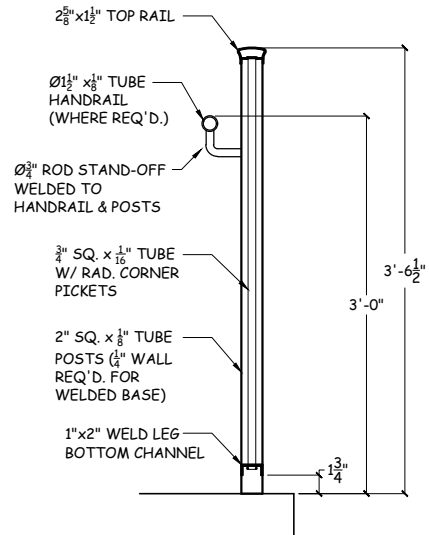
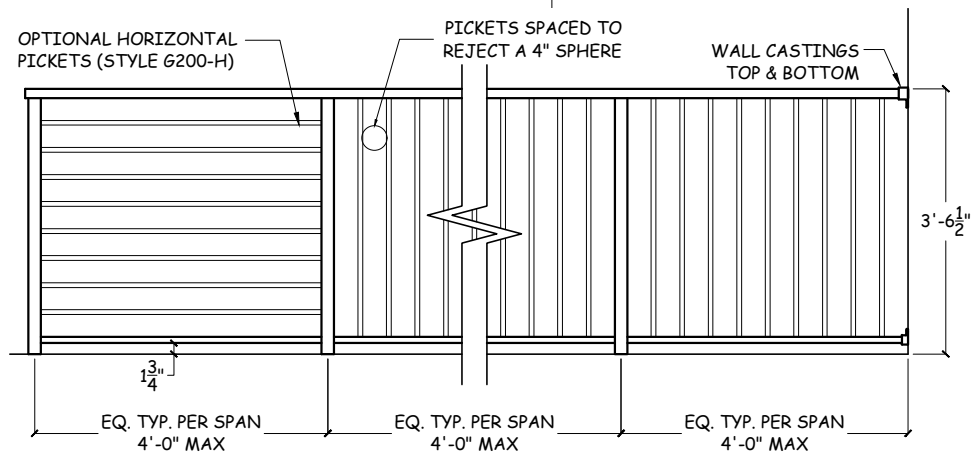


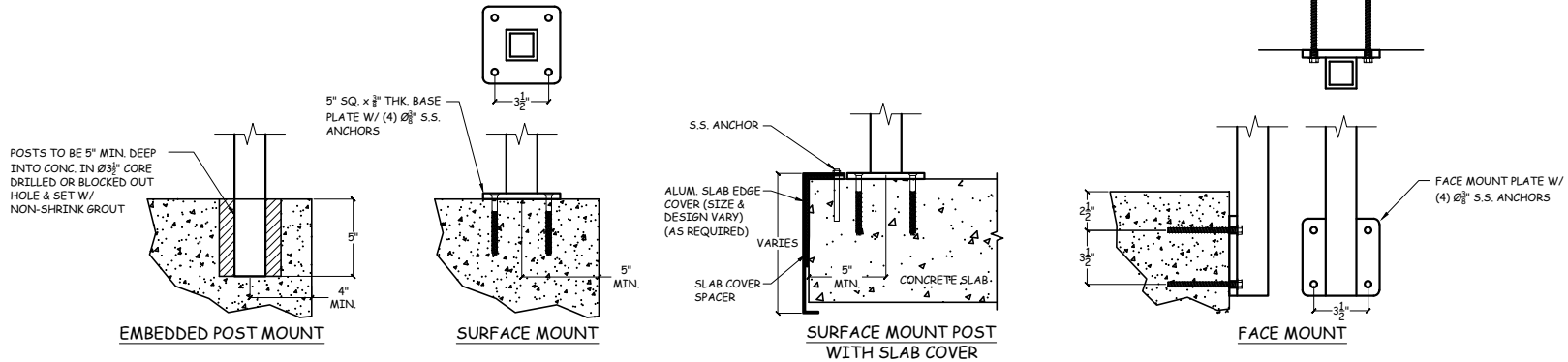
ALUMINUM MATERIALS



G200 CROSS SECTION



G200 ELEVATION



MOUNTING OPTIONS

General Notes

1. MOUNTING PLATE & BRACKET SIZES, HOLES, & ANCHORS MAY VARY TO MEET ARCHITECTURAL & ENGINEERING REQUIREMENTS

No.	Revision/Issue	Date



9410 EDEN AVE., HUDSON, FL 34667
Phone 727-572-1100 Fax 727-863-2724
www.grecoalings.com

Project Name and Address

GRECO RAIL STANDARD
STYLE G200

STANDARDS	Sheet 1 OF 1
Date: 8/2/21	
Scale: N.T.S.	