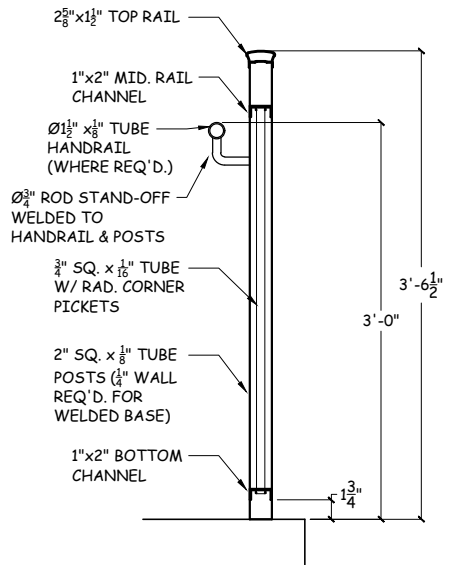
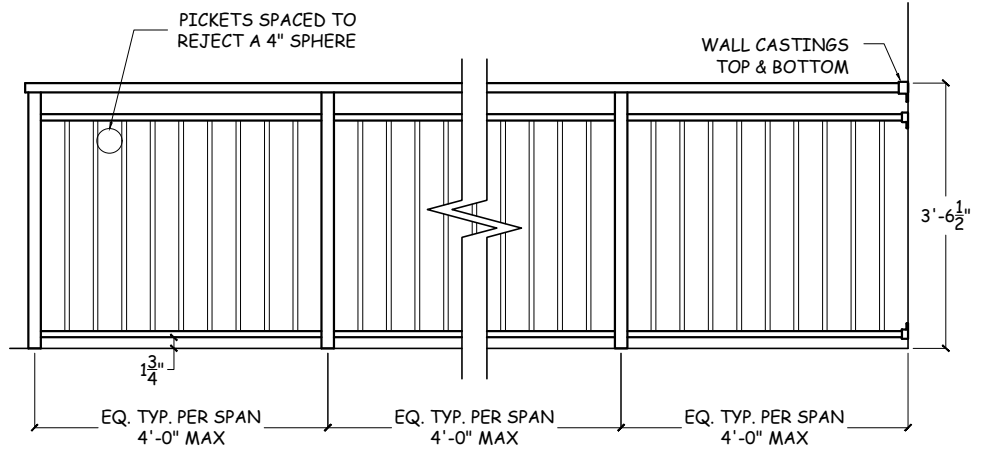


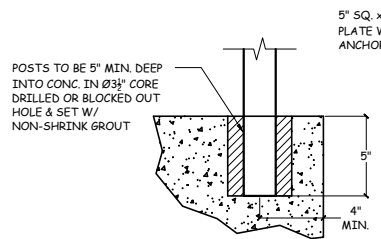
ALUMINUM MATERIALS



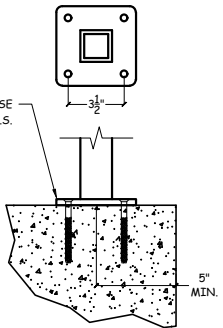
G201 CROSS SECTION



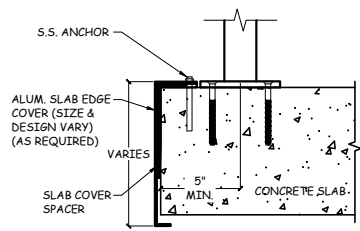
G201 ELEVATION



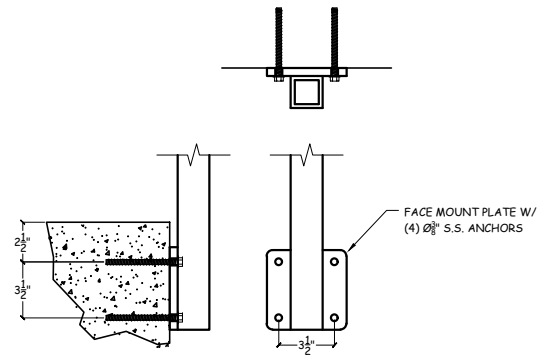
EMBEDDED POST MOUNT



SURFACE MOUNT



SURFACE MOUNT POST WITH SLAB COVER



FACE MOUNT

MOUNTING OPTIONS

General Notes

1. MOUNTING PLATE & BRACKET SIZES, HOLES, & ANCHORS MAY VARY TO MEET ARCHITECTURAL & ENGINEERING REQUIREMENTS

No.	Revision/Issue	Date



9410 EDEN AVE., HUDSON, FL 34667
Phone 727-572-1100 Fax 727-863-2724
www.grecoalings.com

Project Name and Address

GRECO RAIL STANDARD STYLE G201

STANDARDS	Sheet 1 OF 1
Date 8/2/21	
Scale N.T.S.	