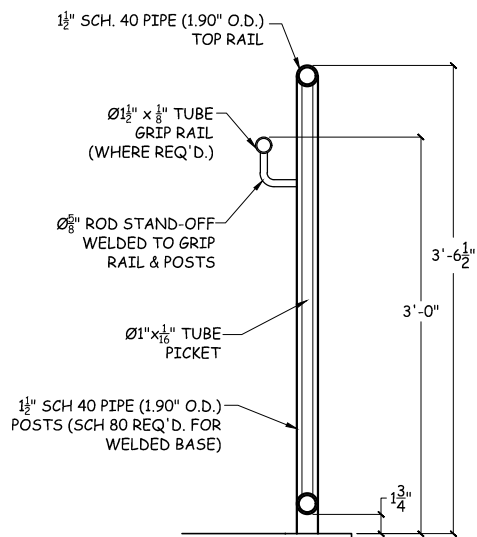
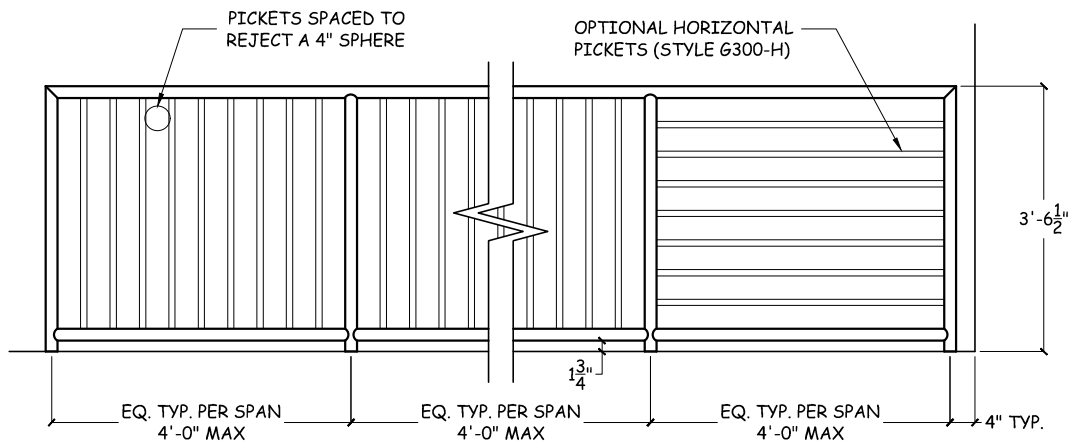


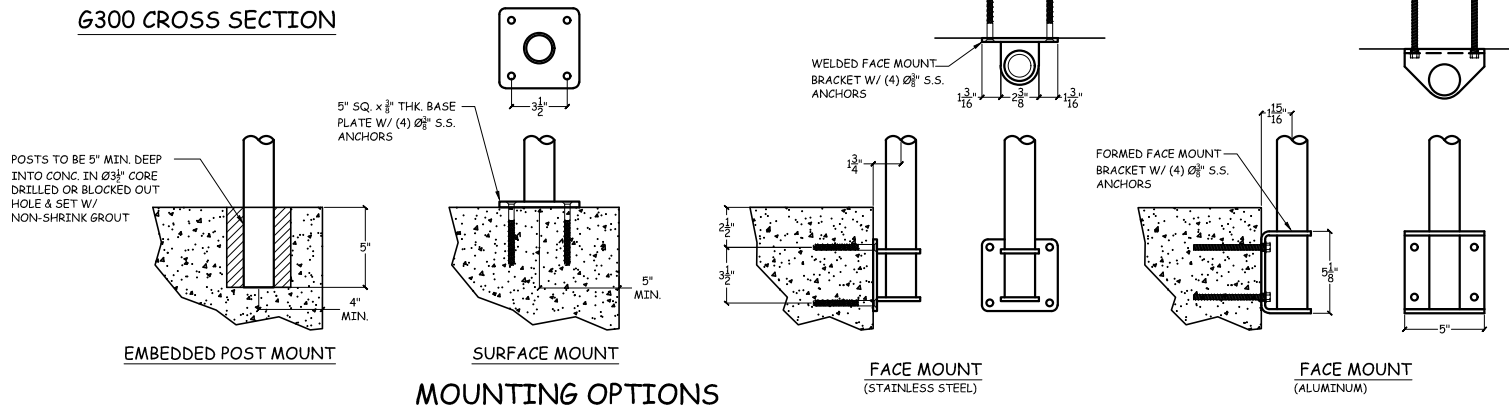
MATERIALS
AVAILABLE IN ALUMINUM
AND STAINLESS STEEL



G300 CROSS SECTION



G300 ELEVATION



MOUNTING OPTIONS

No.	Revision/Issue	Date

GRECO
A CSW Industrials Company
9410 EDEN AVE., HUDSON, FL 34667
Phone: 727-372-1100 Fax: 727-863-2724
www.grecoillings.com

Project Name and Address
**GRECO RAIL STANDARD
STYLE G300**

STANDARDS	Sheet 1 OF 1
Date: 6/29/21	
Scale: N.T.S.	