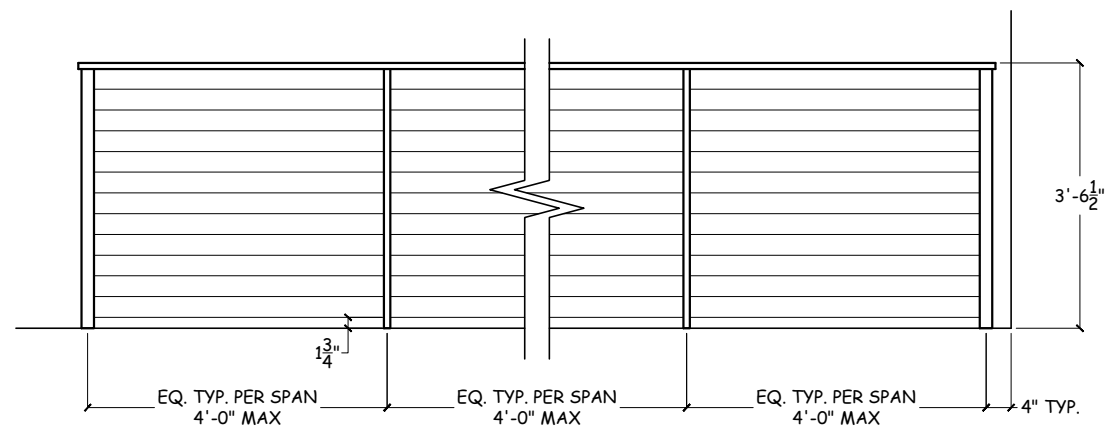
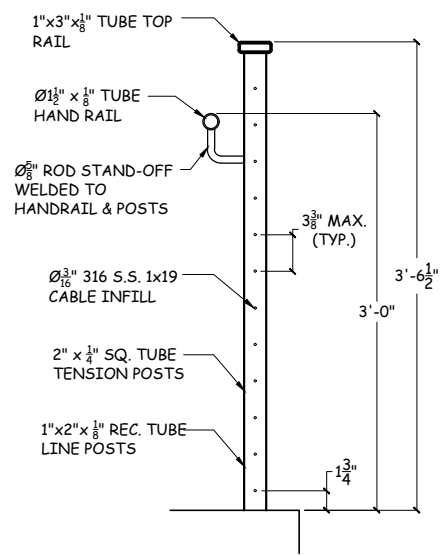


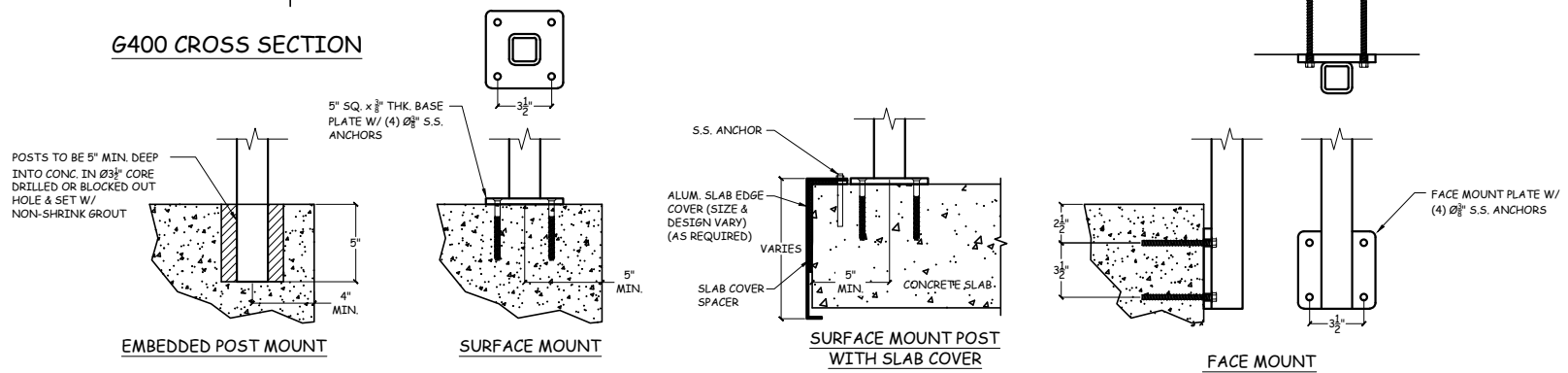
MATERIALS
AVAILABLE IN ALUMINUM
AND STAINLESS STEEL

**TYP. CABLE/POST CONFIGURATION
& TERMINATION DETAIL FOR CABLE RAIL**



G400 CROSS SECTION

G400 ELEVATION



EMBEDDED POST MOUNT

SURFACE MOUNT

SURFACE MOUNT POST WITH SLAB COVER

FACE MOUNT

MOUNTING OPTIONS

No.	Revision/Issue	Date

GRECO
A CSW Industrial Company
9410 EDEN AVE., HUDSON, FL 34667
Phone 727-372-1100 Fax 727-863-2724
www.grecoinstallings.com

Project Name and Address
**GRECO RAIL STANDARD
STYLE G400**

Standards	Sheet
Date: 8/2/21	1 OF 1
Scale: N.T.S.	