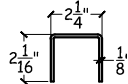
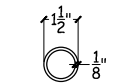


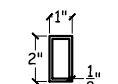
ALT. TOP CAP



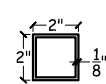
TOP CAP



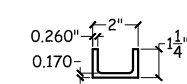
HANDRAIL



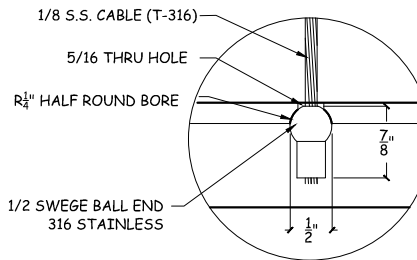
SUPPORT TUBE



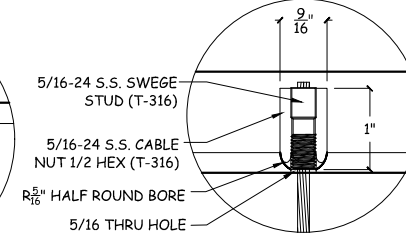
POSTS



UPPER & LOWER CHANNELS



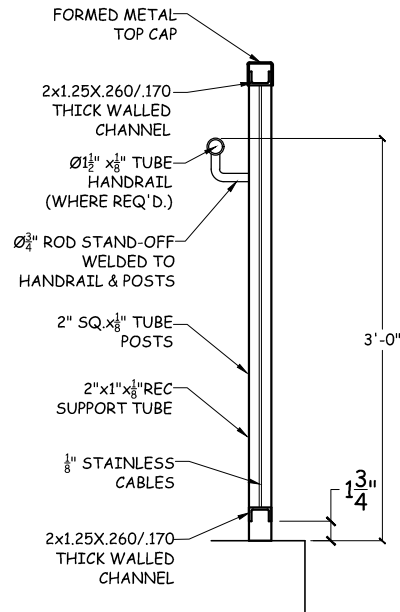
A-A



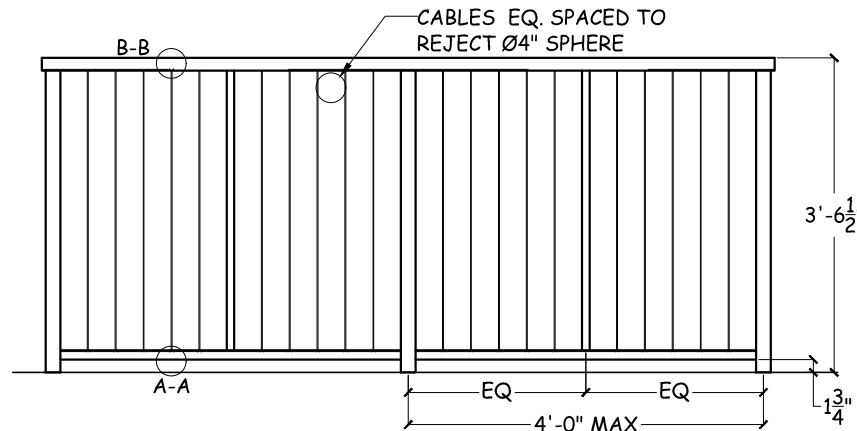
B-B

MATERIALS

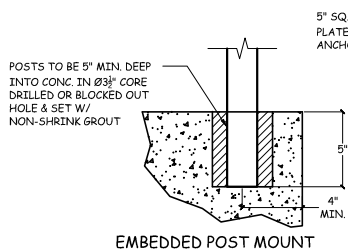
AVAILABLE IN ALUMINUM AND STAINLESS STEEL



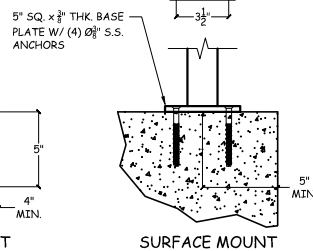
G420 CROSS SECTION



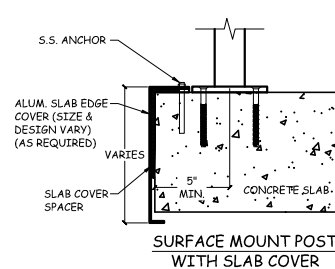
G420 ELEVATION



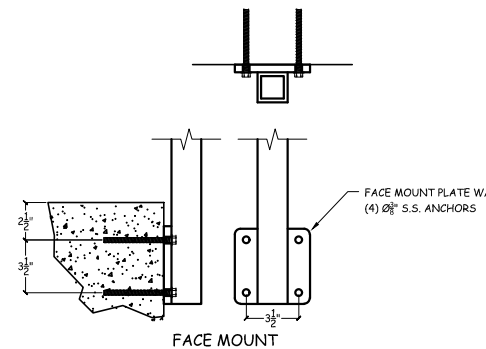
EMBEDDED POST MOUNT



SURFACE MOUNT



SURFACE MOUNT POST WITH SLAB COVER



FACE MOUNT

MOUNTING OPTIONS

General Notes

No.	Revision/Issue	Date

GRECO
A CSW Industrial Company
9410 EDEN AVE., HUDSON, FL 34667
Phone 727-372-1100 Fax 727-863-2724
www.GrecoRailings.com

Project Name and Address
**GRECO RAIL STANDARD
STYLE G420**

STANDARDS	Sheet 1 OF 1
Date 8/17/21	
Scale N.T.S.	