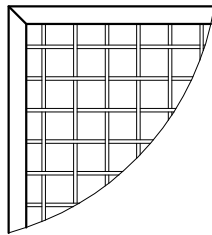
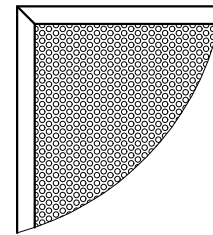


OPTIONAL ROUND FRAME



1/4" WOVEN WIRE MESH W/ 2" SQ. OPENINGS



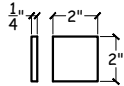
1/8" PERFORATED SHEET W/ 3/8" HOLES @ 2" STAGGERED CENTERS



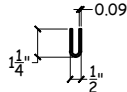
GRIP RAIL



TOP RAIL, BOTTOM RAIL & POSTS



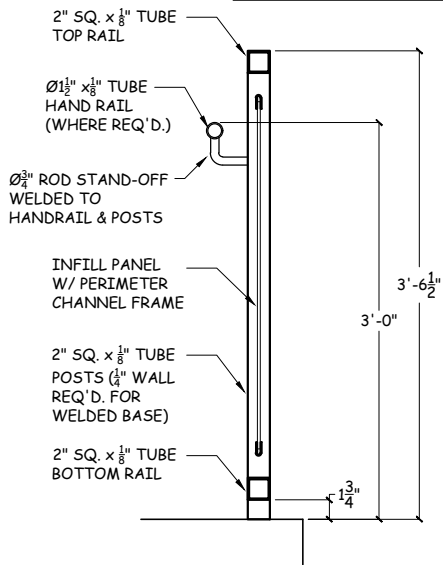
STAND OFF TAB



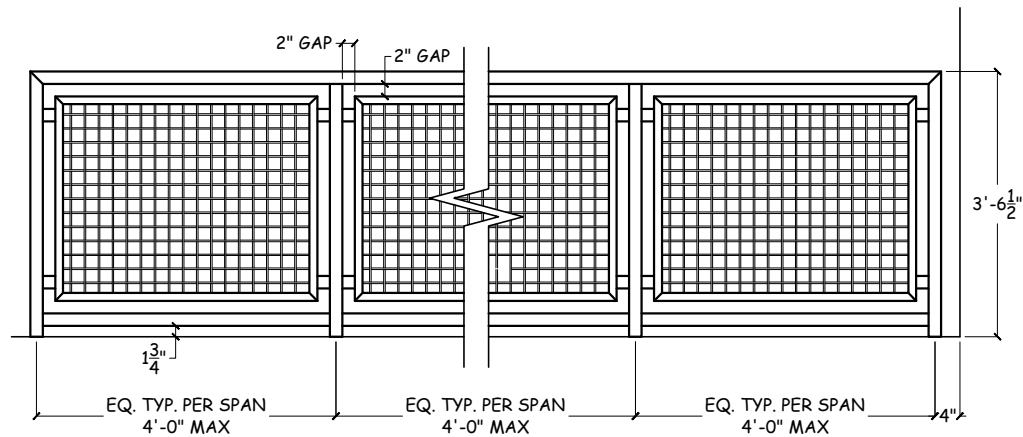
PERIMETER CHANNEL

ALUMINUM MATERIALS

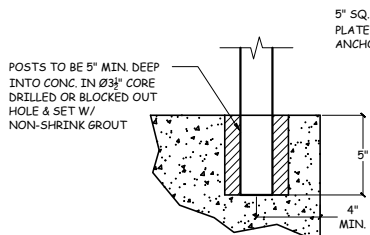
INFILL OPTIONS



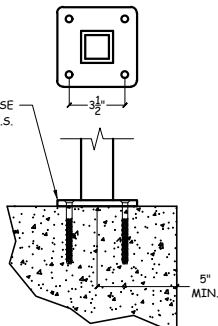
G505 CROSS SECTION



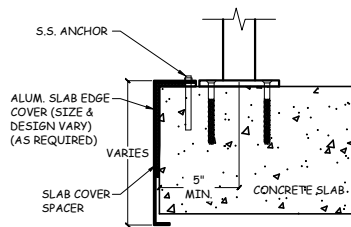
G505 ELEVATION



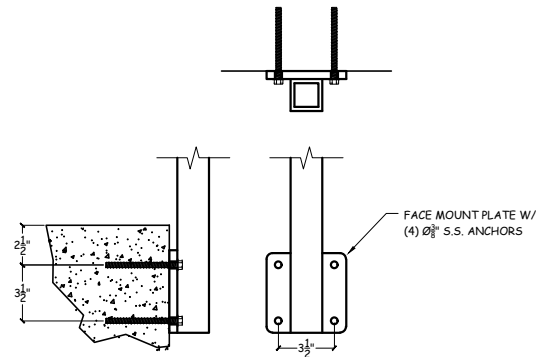
EMBEDDED POST MOUNT



SURFACE MOUNT



SURFACE MOUNT POST WITH SLAB COVER



FACE MOUNT

MOUNTING OPTIONS

No.	Revision/Issue	Date

GRECO
A CSW Industrials Company
9410 EDEN AVE., HUDSON, FL 34667
Phone: 727-372-1100 Fax: 727-863-2724
www.grecoalings.com

Project Name and Address
GRECO RAIL STANDARD STYLE G505

Standards	Sheet
Date: 8/2/21	1 OF 1
Scale: N.T.S.	