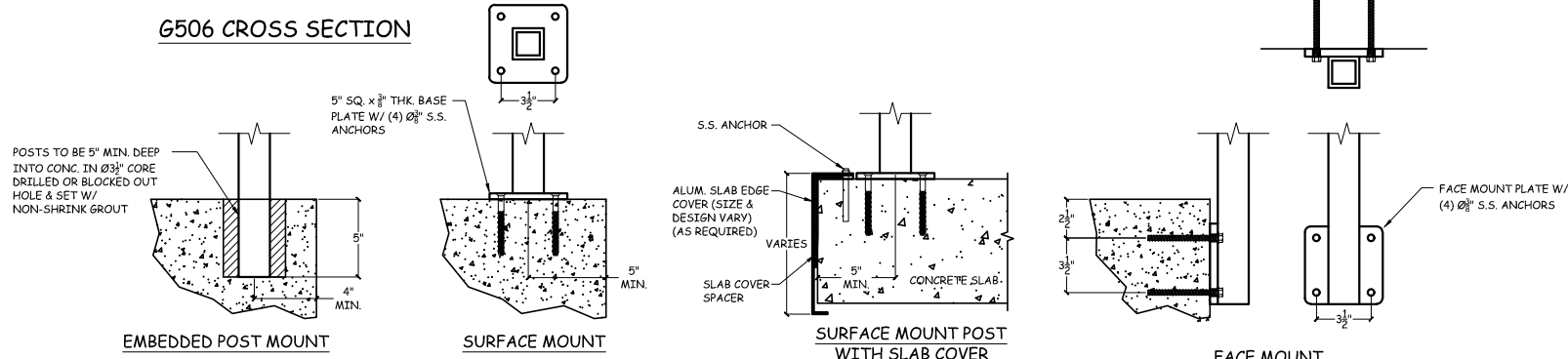
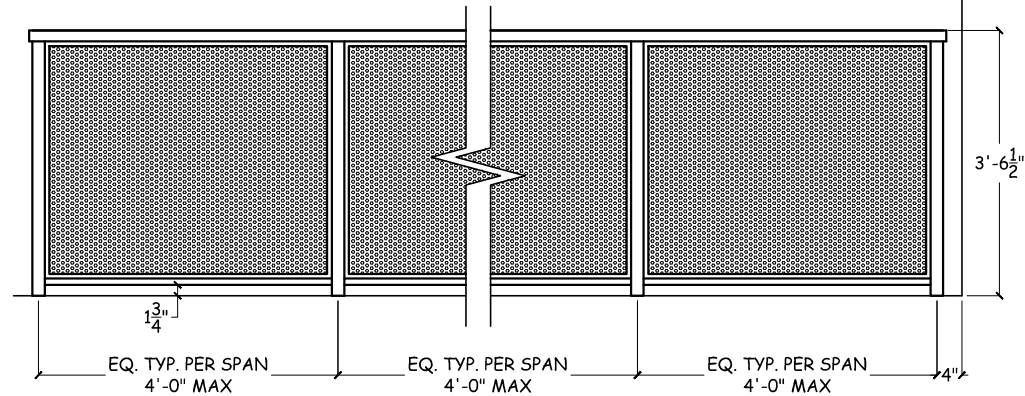
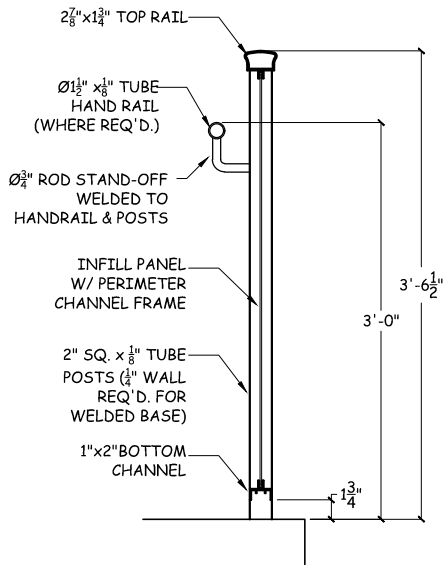


ALUMINUM MATERIALS

INFILL OPTIONS



MOUNTING OPTIONS

No.	Revision/Issue	Date

GRECO
A CSW Industrials Company
9410 EDEN AVE., HUDSON, FL 34667
Phone: 727-572-1100 Fax: 727-863-2724
www.grecoinstallings.com

Project Name and Address
GRECO RAIL STANDARD STYLE G506

Drawn STANDARDS	Sheet 1
Date 8/2/21	OF 1
Scale N.T.S.	