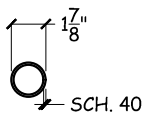
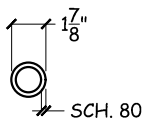


GRIP RAIL



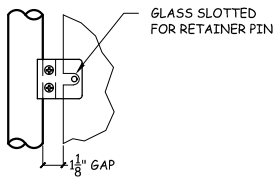
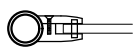
TOP RAIL & LINE POST



TENSION POST

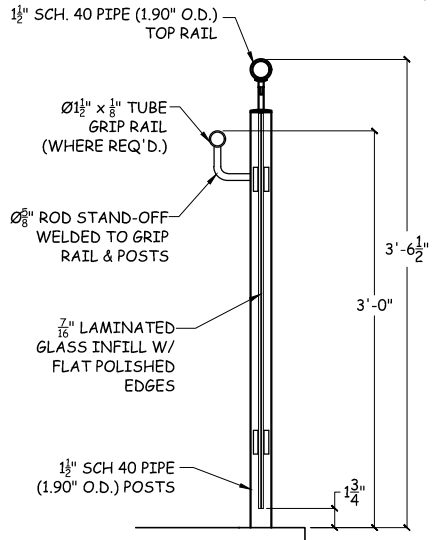


POST STAND-OFF W/
PIVOT

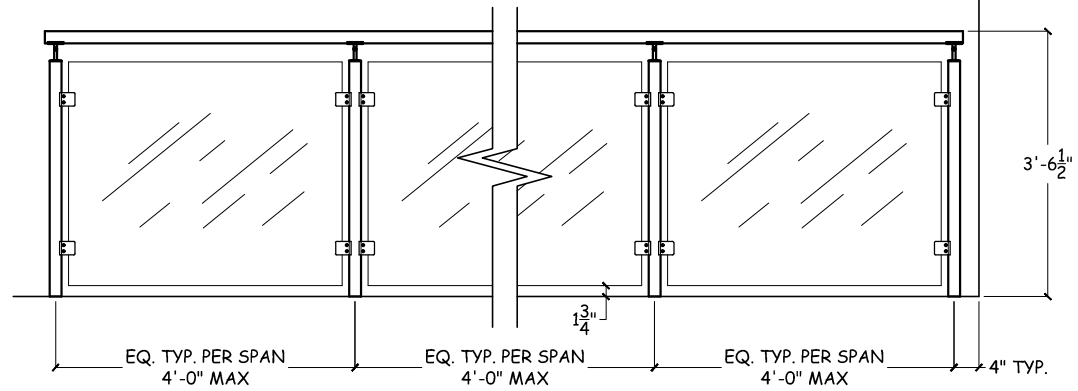


GLASS CLAMP DETAIL

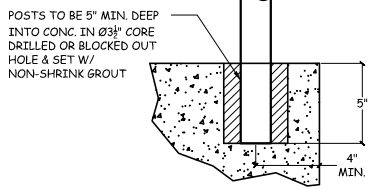
MATERIALS
AVAILABLE IN ALUMINUM
AND STAINLESS STEEL



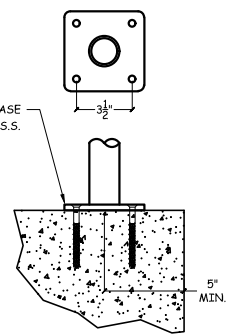
G510 CROSS SECTION



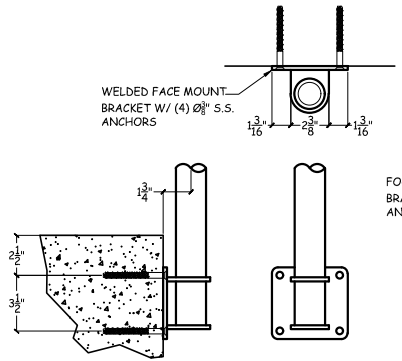
G510 ELEVATION



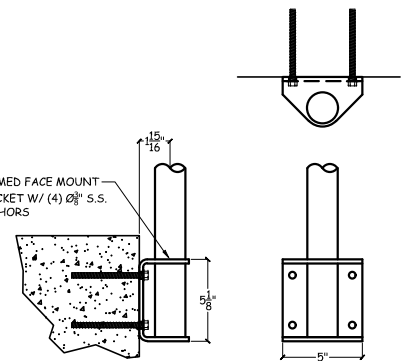
EMBEDDED POST MOUNT



SURFACE MOUNT



FACE MOUNT
(STAINLESS STEEL)



FACE MOUNT
(ALUMINUM)

MOUNTING OPTIONS

No.	Revision/Issue	Date

GRECO
A CSW Industrial Company
9410 EDEN AVE., HUDSON, FL 34667
Phone 727-372-1100 Fax 727-863-2724
www.grecoinstallings.com

Project Name and Address
**GRECO RAIL STANDARD
STYLE 510**

STANDARDS	Sheet 1
Date 7/12/21	OF 1
Scale N.T.S.	