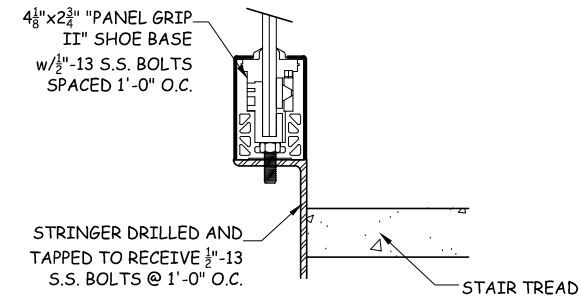
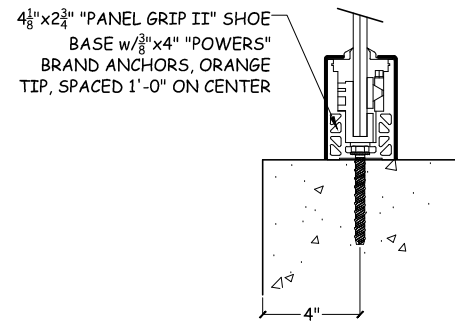
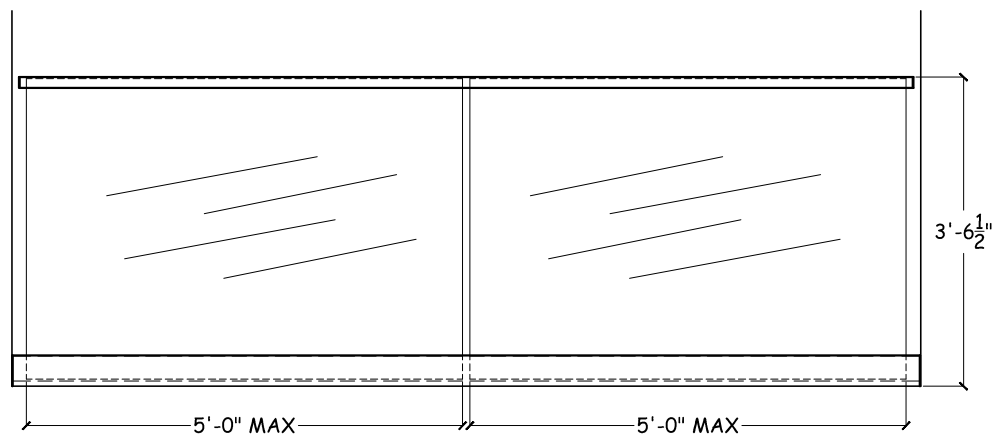
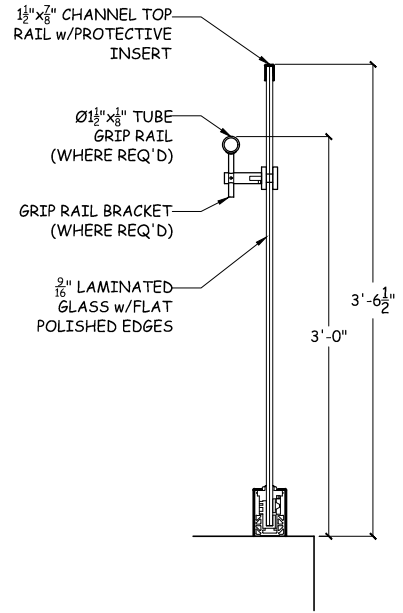


MATERIALS

AVAILABLE IN ALUMINUM
AND STAINLESS STEEL



MOUNTING OPTIONS

No.	Revision/Issue	Date

GRECO
A CSW Industrials Company
9410 EDEN AVE., HUDSON, FL 34667
Phone: 727-572-1100 Fax: 727-863-2724
www.grecoinstallings.com

Project Name and Address
**GRECO RAIL STANDARD
STYLE G530**

Drawn STANDARDS	Sheet 1
Date 7/30/21	OF 1
Scale N.T.S.	