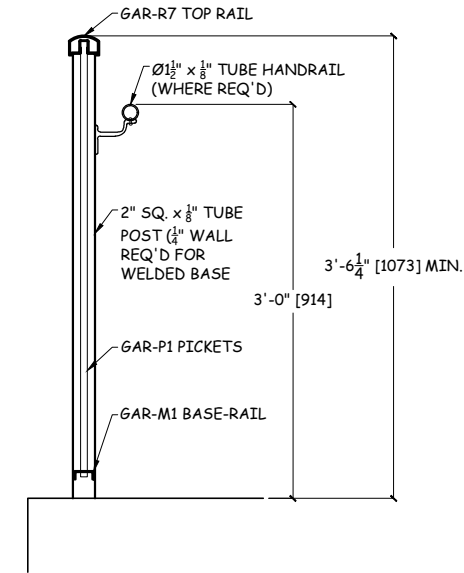
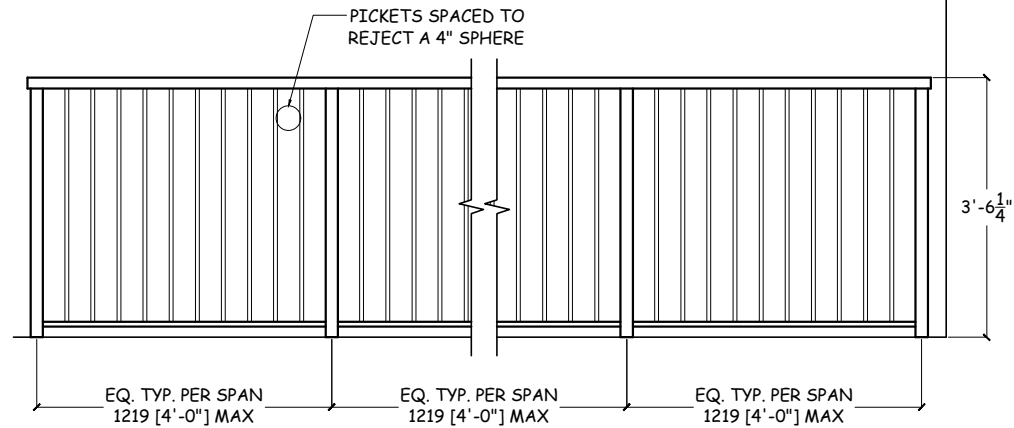


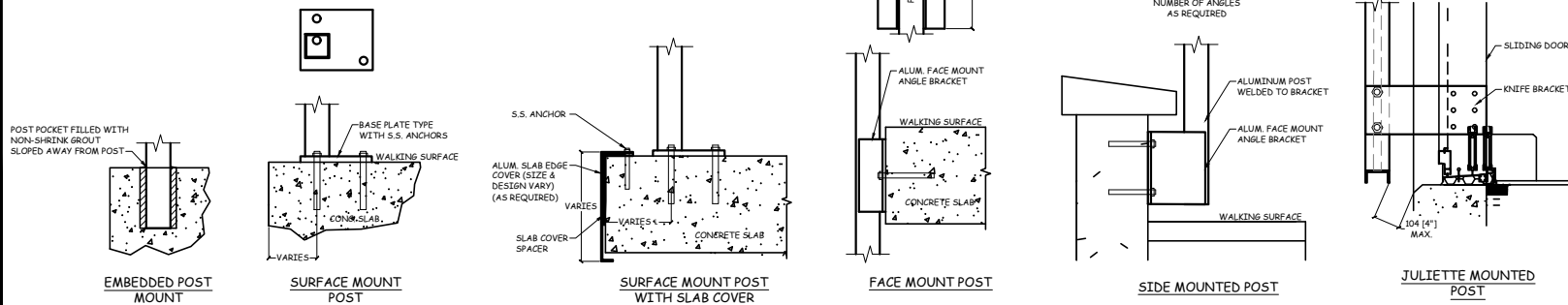
## ALUMINUM MATERIALS



GC200 CROSS SECTION



GC200 ELEVATION



MOUNTING OPTIONS

General Notes

1. MOUNTING PLATE & BRACKET SIZES, HOLES, & ANCHORS MAY VARY TO MEET ARCHITECTURAL & ENGINEERING REQUIREMENTS

No.	Revision/Issue	Date



Project Name and Address  
**GRECO RAIL STANDARD STYLE GC200 - PICKET**

2024 STANDARDS	Sheet 1	OF 1
Date 8/2/21	Scale N.T.S.	