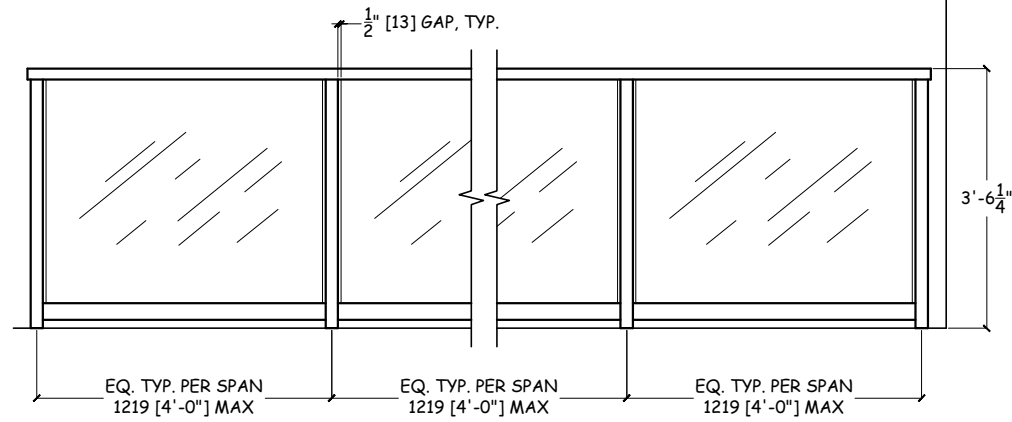
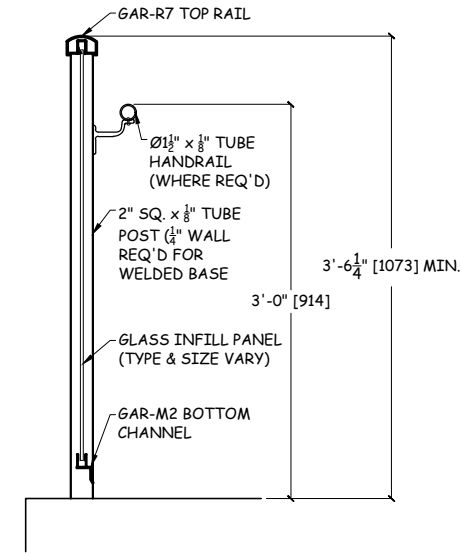
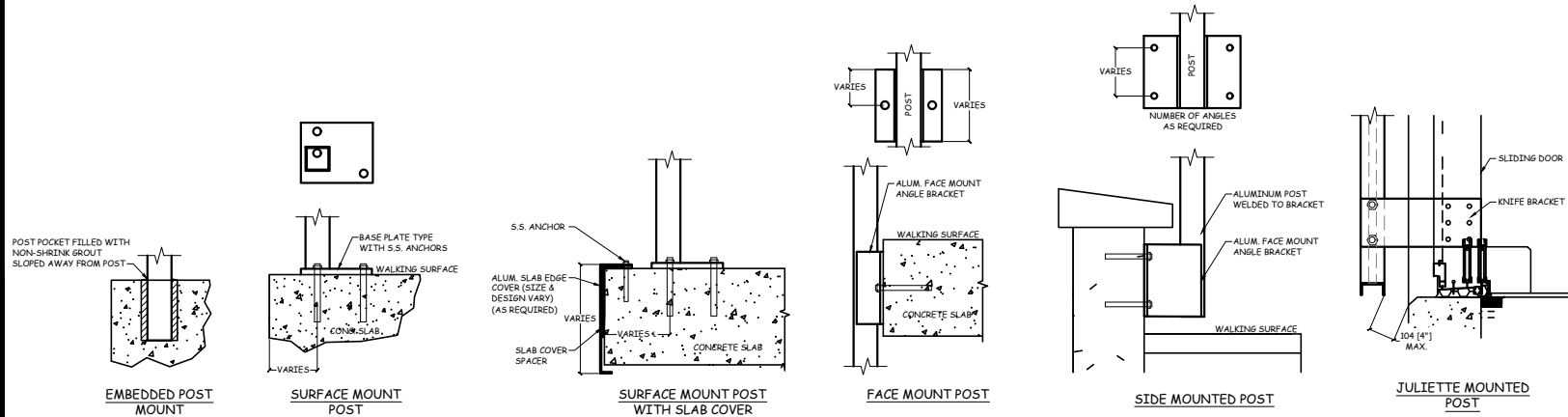


ALUMINUM MATERIALS



GC500 CROSS SECTION

GC500 ELEVATION



MOUNTING OPTIONS

General Notes

1. MOUNTING PLATE & BRACKET SIZES, HOLES, & ANCHORS MAY VARY TO MEET ARCHITECTURAL & ENGINEERING REQUIREMENTS.
2. GLASS SIZES & THICKNESS DETERMINED BY PROJECT SPECIFIC REQUIREMENTS.

No.	Revision/Issue	Date

GRECO
A CSW Industrials Company

Greco Aluminum Railings Ltd.
3255 Wynnton Street East
Windsor, Ontario N9B 1Y2
Toll Free 800-363-3631 Office 519-253-0555-1102
www.grecoaluminums.com

Project Name and Address

**GRECO RAIL STANDARD
STYLE GC500**

STANDARDS	Sheet
Date: 8/2/21	1 OF 1
Scale: N.T.S.	