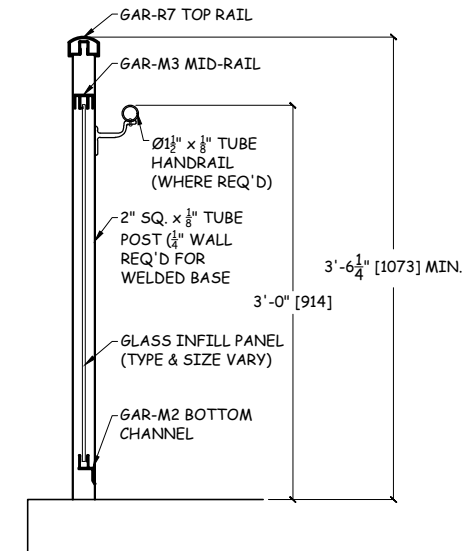


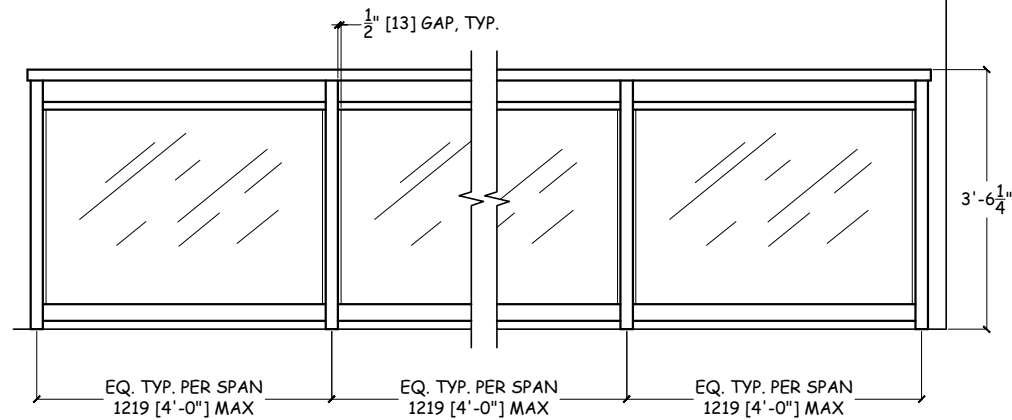
ALUMINUM MATERIALS

ALTERNATE BOTTOM CHANNEL OPTIONS

- General Notes
1. MOUNTING PLATE & BRACKET SIZES, HOLES, & ANCHORS MAY VARY TO MEET ARCHITECTURAL & ENGINEERING REQUIREMENTS
 2. GLASS SIZES & THICKNESS DETERMINED BY PROJECT SPECIFIC REQUIREMENTS.



GC501 CROSS SECTION



GC501 ELEVATION

No.	Revision/Issue	Date

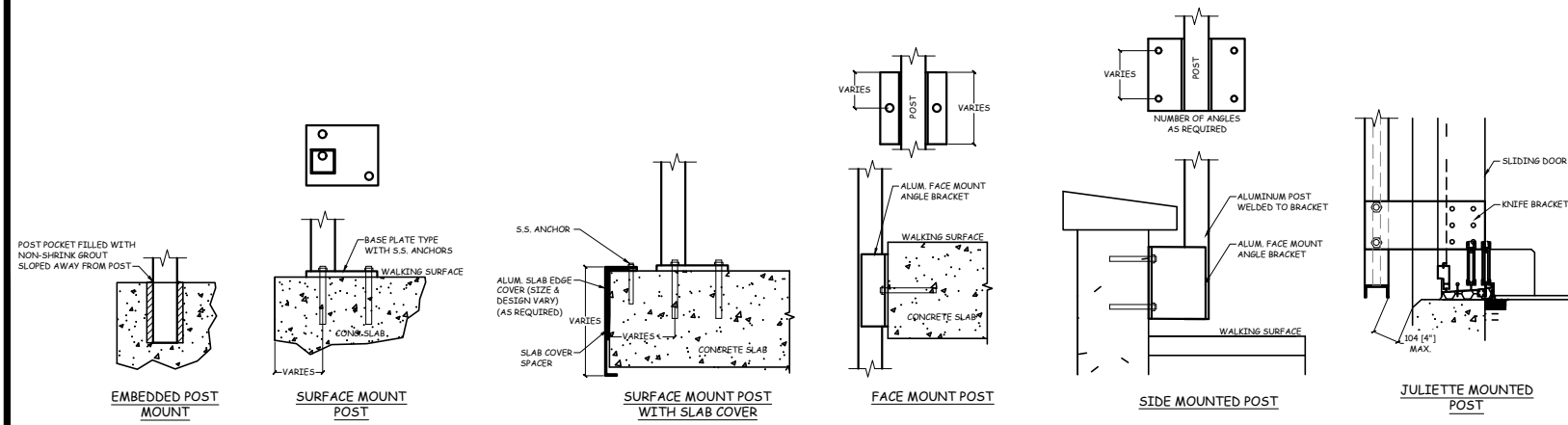
GRECO
A CSW Industrial Company

Greco Aluminum Railings Ltd.
3255 Wynvalde Street East
Windsor, Ontario N9B 1Y2
Toll Free: 800-363-3631 Office: 519-255-1102
www.grecoaluminums.com

Project Name and Address

**GRECO RAIL STANDARD
STYLE GC501**

STANDARDS	Sheet
Date: 8/2/21	1 OF 1
Scale: N.T.S.	



MOUNTING OPTIONS