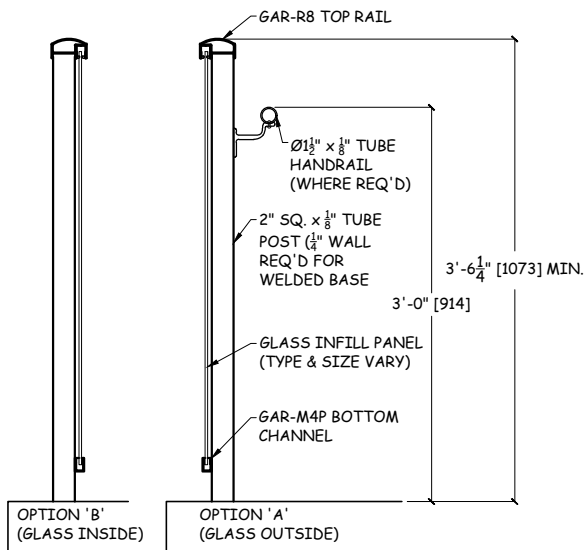
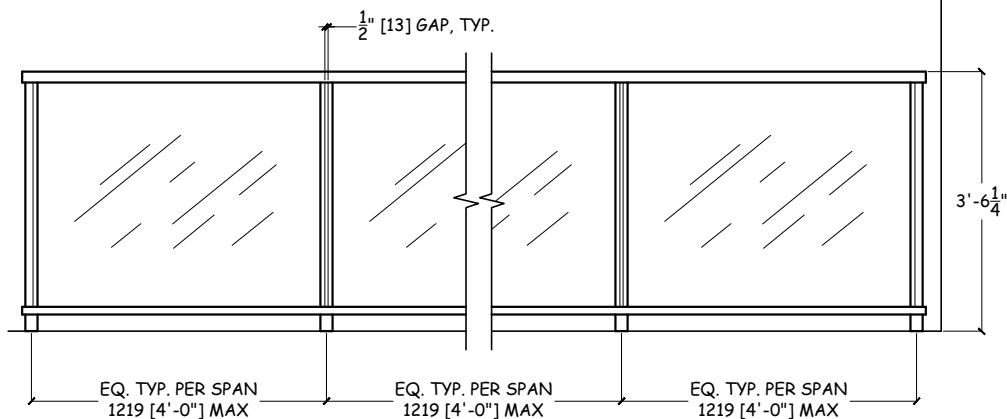


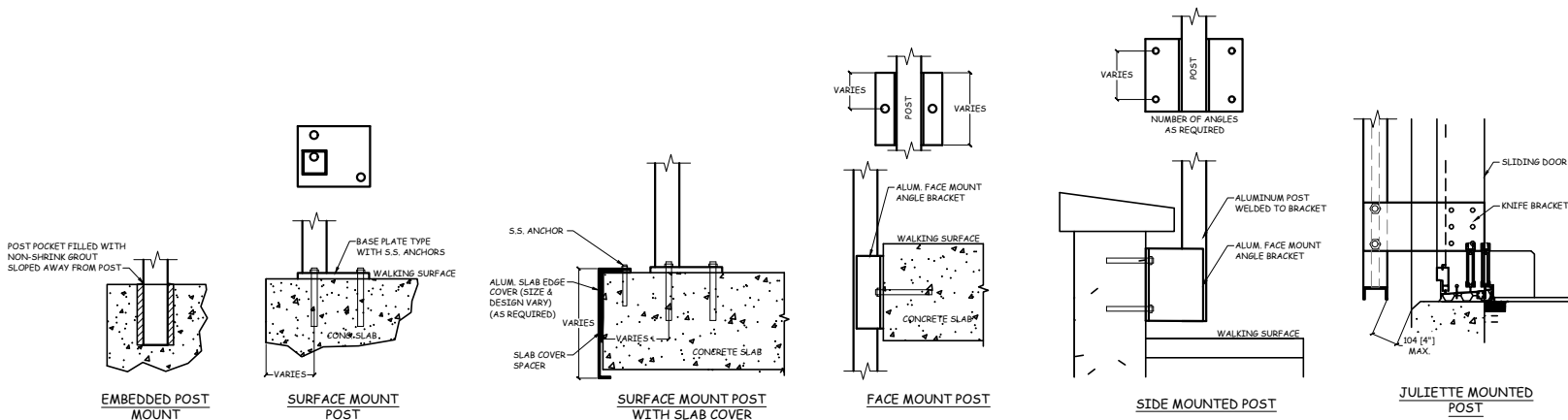
## ALUMINUM MATERIALS



GC520 CROSS SECTION



GC520 ELEVATION



MOUNTING OPTIONS

General Notes

1. MOUNTING PLATE & BRACKET SIZES, HOLES, & ANCHORS MAY VARY TO MEET ARCHITECTURAL & ENGINEERING REQUIREMENTS.
2. GLASS SIZES & THICKNESS DETERMINED BY PROJECT SPECIFIC REQUIREMENTS.

No.	Revision/Issue	Date

**GRECO**  
A CSW Industrial Company

Greco Aluminum Railings Ltd.  
3255 Wynvalde Street East  
Windsor, Ontario N9B 1Y2  
Toll Free: 800-363-Post (Office: 519-255-1102)  
www.grecoalumin.com

Project Name and Address

**GRECO RAIL STANDARD  
STYLE GC520**

2017 <b>STANDARDS</b>	Sheet <b>1</b>
Date <b>8/2/21</b>	OF <b>1</b>
Scale <b>N.T.S.</b>	