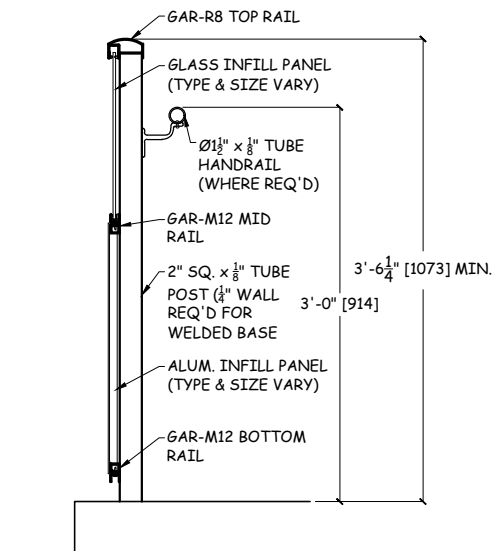
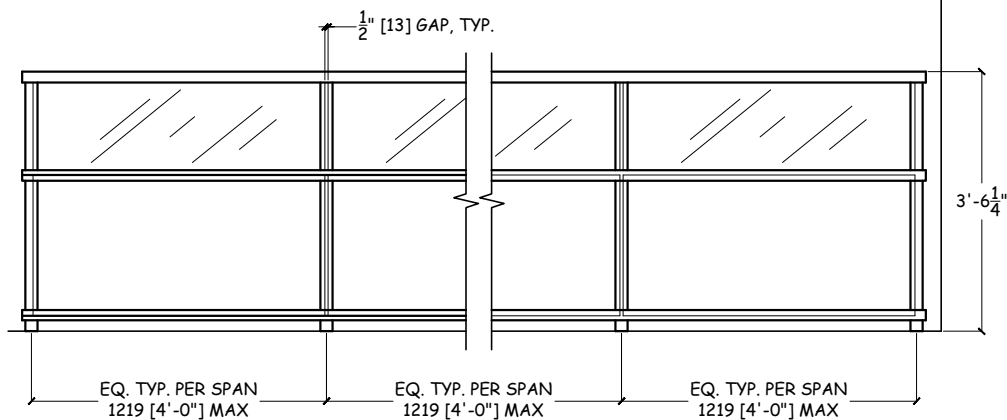


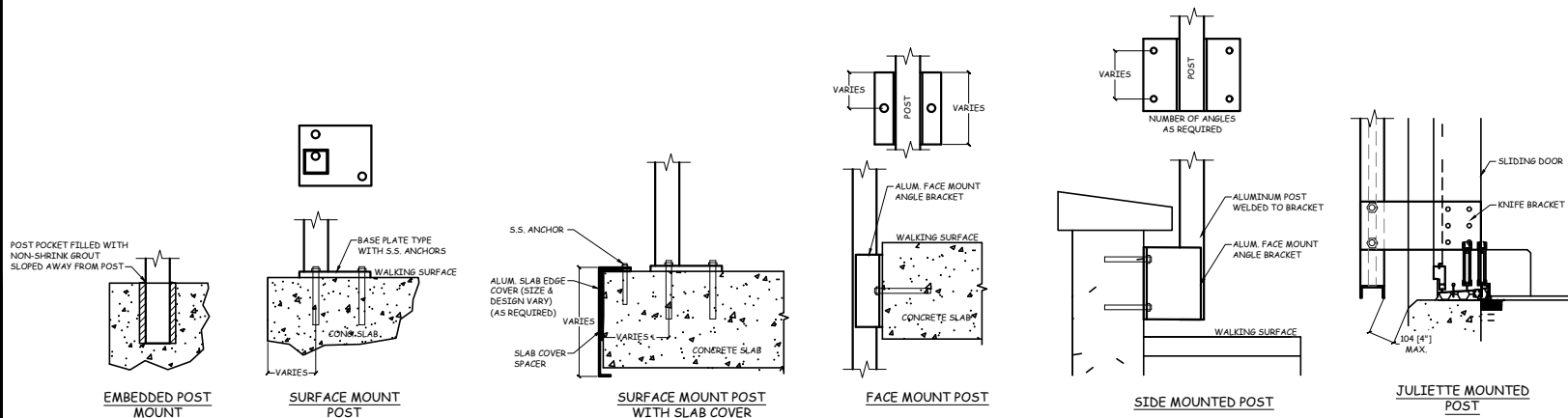
ALUMINUM MATERIALS



GC521 CROSS SECTION



GC521 ELEVATION



MOUNTING OPTIONS

General Notes

1. MOUNTING PLATE & BRACKET SIZES, HOLES, & ANCHORS MAY VARY TO MEET ARCHITECTURAL & ENGINEERING REQUIREMENTS
2. GLASS SIZES & THICKNESS DETERMINED BY PROJECT SPECIFIC REQUIREMENTS.

No.	Revision/Issue	Date

GRECO
A CSW Industrials Company

Greco Aluminum Railings Ltd.
3255 Wynvalde Street East
Windsor, Ontario N9P 1S2
Toll Free: 800-363-Post Office: 519-255-1192
www.grecoalrulings.com

Project Name and Address

**GRECO RAIL STANDARD
STYLE GC521**

STANDARDS	Sheet
Date: 8/2/21	1 OF 1
Scale: N.T.S.	