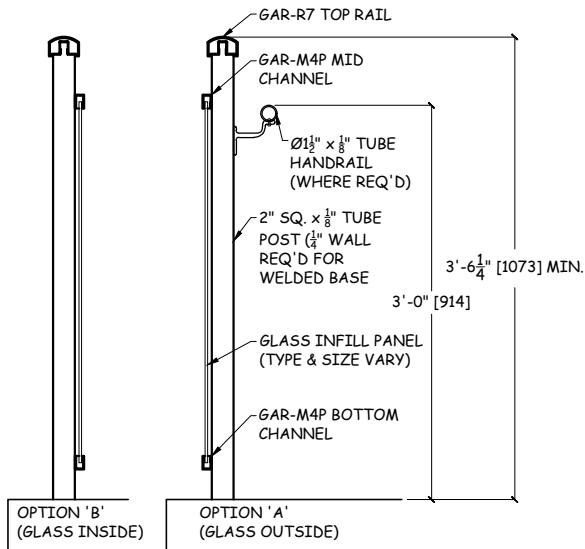
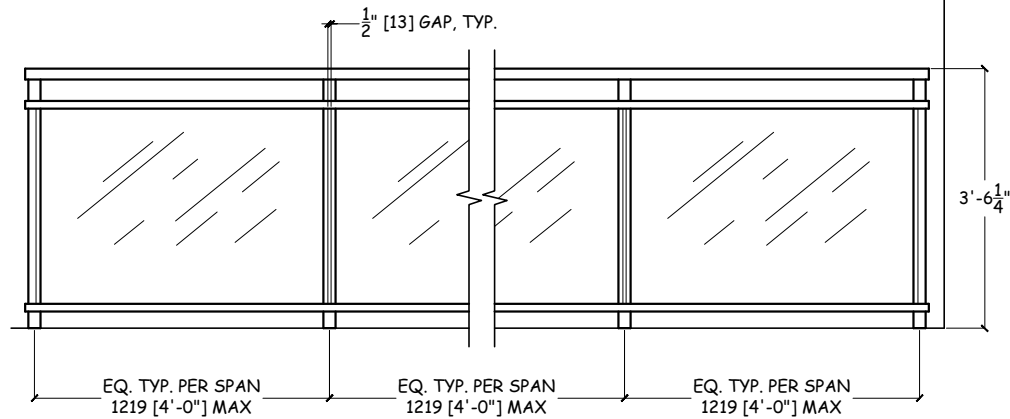


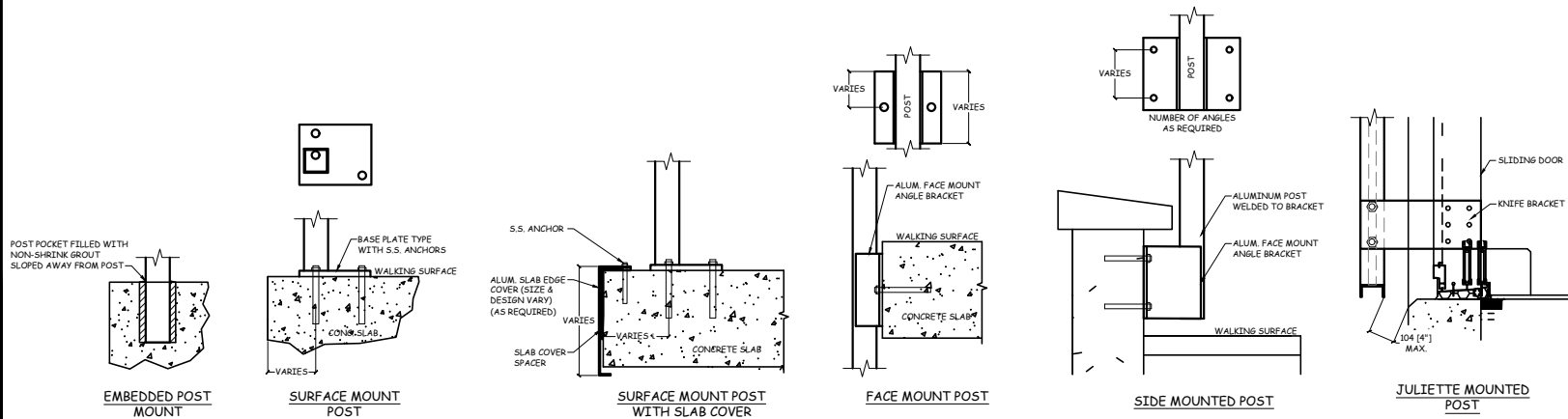
## ALUMINUM MATERIALS



GC540 CROSS SECTION



GC540 ELEVATION



MOUNTING OPTIONS

General Notes

1. MOUNTING PLATE & BRACKET SIZES, HOLES, & ANCHORS MAY VARY TO MEET ARCHITECTURAL & ENGINEERING REQUIREMENTS.
2. GLASS SIZES & THICKNESS DETERMINED BY PROJECT SPECIFIC REQUIREMENTS.

No.	Revision/Issue	Date

**GRECO**  
A CSW Industrial Company

Greco Aluminum Railings Ltd.  
3255 Wynnton Street East  
Windsor, Ontario N9B 1Z9  
Toll Free 800-363-Post Office: 519-255-1102  
www.grecoalumin.com

Project Name and Address

**GRECO RAIL STANDARD  
STYLE GC540**

STANDARDS	Sheet
Date: 8/2/21	1 OF 1
Scale: N.T.S.	