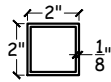
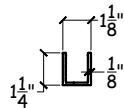


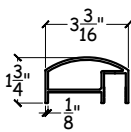
GRIP RAIL



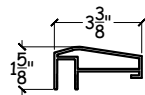
POSTS



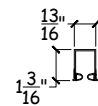
BOTTOM CHANNEL



TOP RAIL



ALT TOP RAIL OPTION

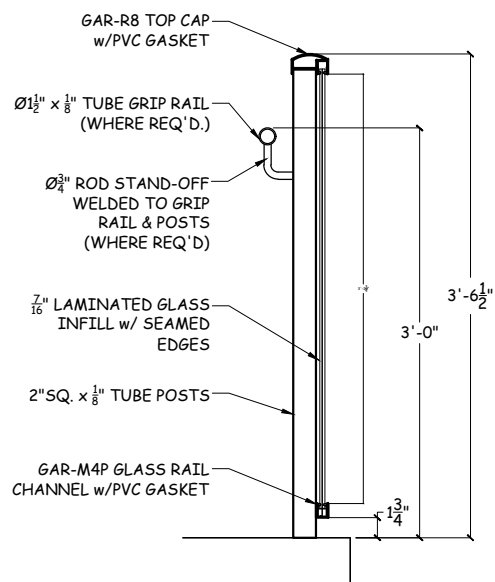


TOP RAIL
PVC GASKET

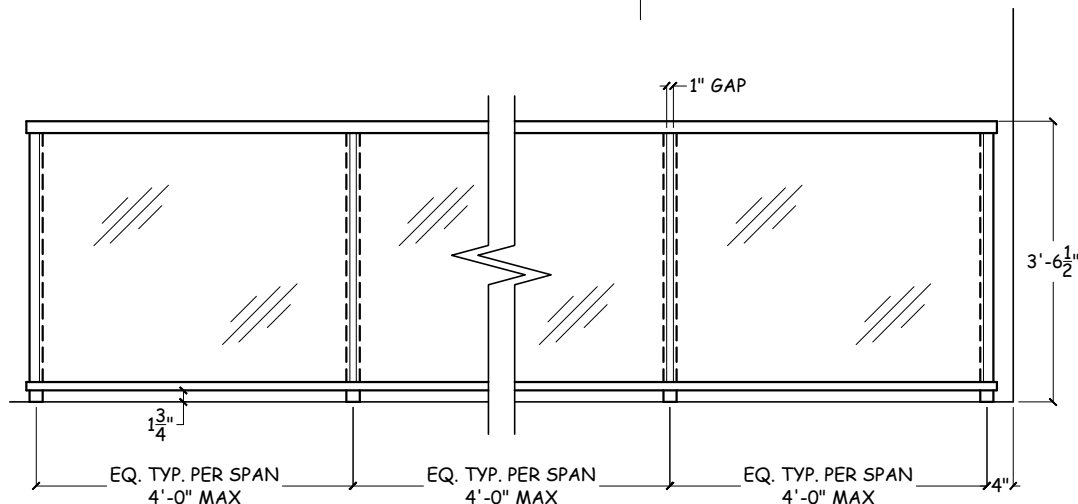


BOTTOM
CHANNEL PVC
GASKET

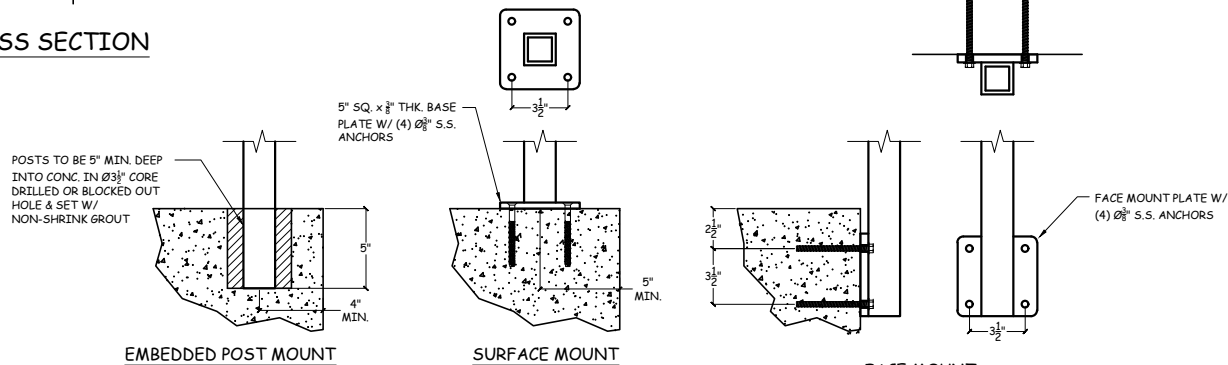
ALUMINUM MATERIALS



G520 CROSS SECTION



G520 ELEVATION



EMBEDDED POST MOUNT

SURFACE MOUNT

FACE MOUNT

MOUNTING OPTIONS

| | | |
|-----|----------------|------|
| No. | Revision/Issue | Date |
| | | |

GRECO
A CSW Industrials Company
9410 EDEN AVE., HUDSON, FL 34667
Phone: 727-372-1100 Fax: 727-863-2724
www.grecoinstallings.com

Project Name and Address
**GRECO RAIL STANDARD
STYLE G520**

| | |
|---------------|--------|
| STANDARDS | Sheet |
| Date: 7/30/21 | 1 OF 1 |
| Scale: N.T.S. | |