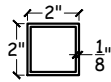
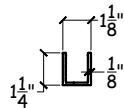


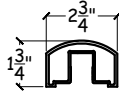
GRIP RAIL



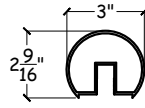
POSTS



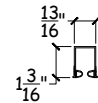
BOTTOM CHANNEL



TOP RAIL



ALT TOP RAIL OPTION

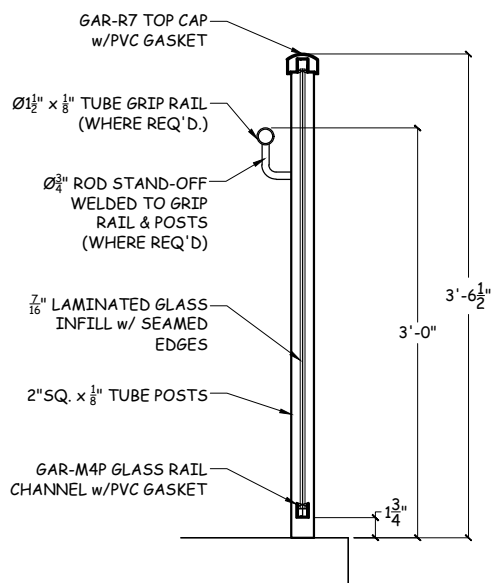


TOP RAIL
PVC GASKET

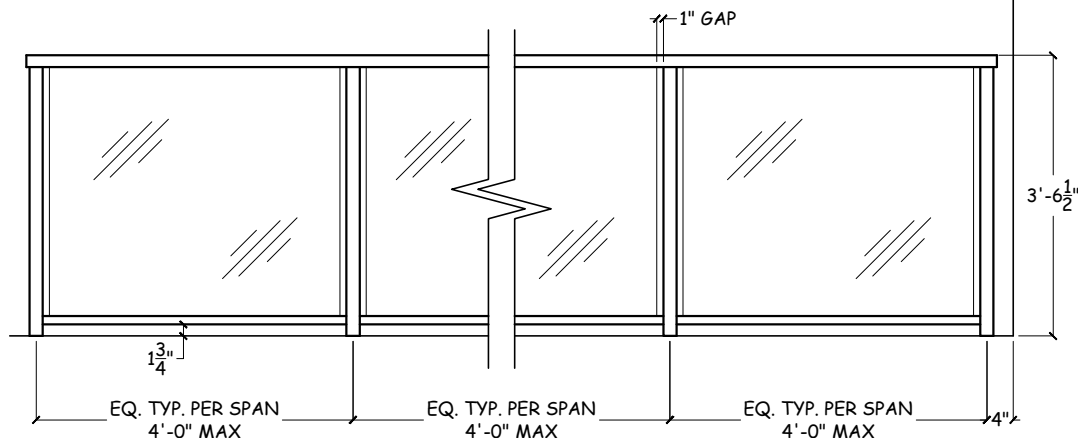


BOTTOM
CHANNEL PVC
GASKET

ALUMINUM MATERIALS



G525 CROSS SECTION



G525 ELEVATION

POSTS TO BE 5" MIN. DEEP INTO CONC. IN Ø3" CORE DRILLED OR BLOCKED OUT HOLE & SET W/ NON-SHRINK GROUT

EMBEDDED POST MOUNT

5" SQ. x 3/8" THK. BASE PLATE W/ (4) Ø8" S.S. ANCHORS

SURFACE MOUNT

FACE MOUNT PLATE W/ (4) Ø8" S.S. ANCHORS

FACE MOUNT

MOUNTING OPTIONS

| No. | Revision/Issue | Date |
|-----|----------------|------|
| | | |

GRECO
A CSW Industrials Company
9410 EDEN AVE., HUDSON, FL 34667
Phone: 727-372-1100 Fax: 727-863-2724
www.grecoalings.com

Project Name and Address
**GRECO RAIL STANDARD
STYLE G525**

| | |
|-----------------|-------------------|
| STANDARDS | Sheet 1 |
| Date 8/4/21 | OF 1 |
| Scale N.T.S. | |