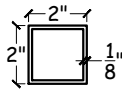
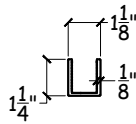


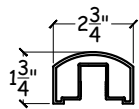
GRIP RAIL



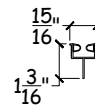
POSTS



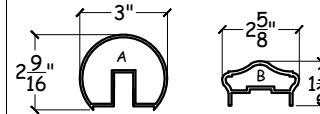
BOTTOM & MID CHANNEL



TOP RAIL

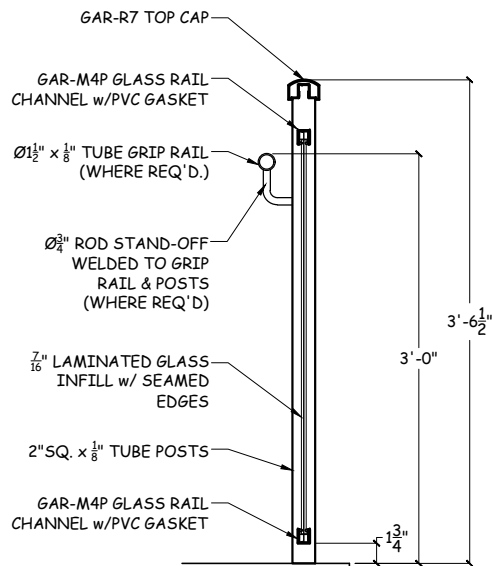


BOTTOM CHANNEL PVC GASKET

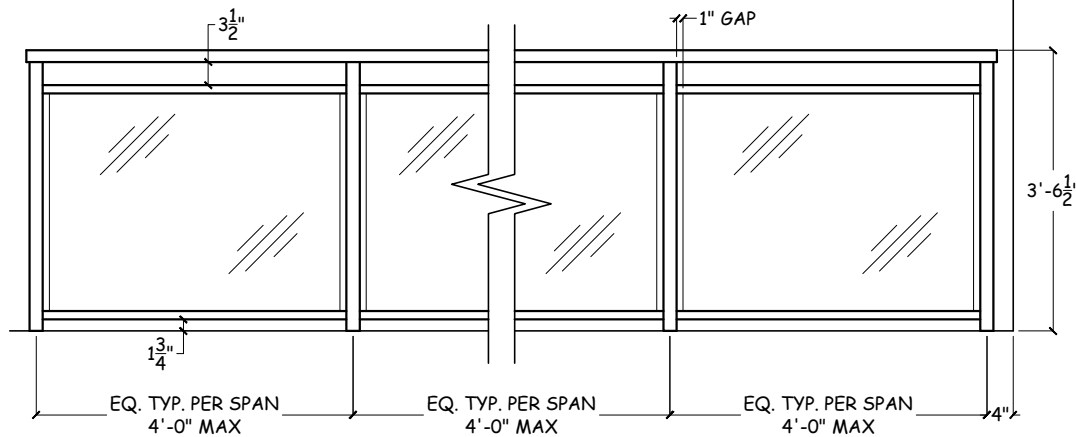


ALT TOP RAIL OPTION

ALUMINUM MATERIALS

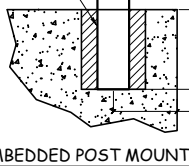


G526 CROSS SECTION



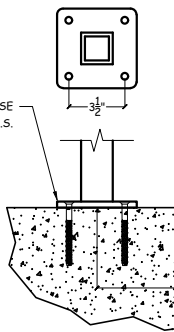
G526 ELEVATION

POSTS TO BE 5" MIN. DEEP INTO CONC. IN Ø3" CORE DRILLED OR BLOCKED OUT HOLE & SET W/ NON-SHRINK GROUT

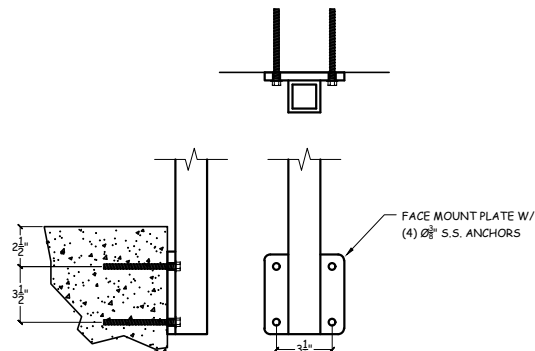


EMBEDDED POST MOUNT

5" SQ. x 3/8" THK. BASE PLATE W/ (4) Ø8" S.S. ANCHORS



SURFACE MOUNT



FACE MOUNT

MOUNTING OPTIONS

No.	Revision/Issue	Date

GRECO
A CSW Industrial Company
9410 EDEN AVE., HUDSON, FL 34667
Phone: 727-372-1100 Fax: 727-863-2724
www.grecoalings.com

Project Name and Address
GRECO RAIL STANDARD STYLE G526

Standards	Sheet 1 OF 1
Date: 8/4/21	
Scale: N.T.S.	