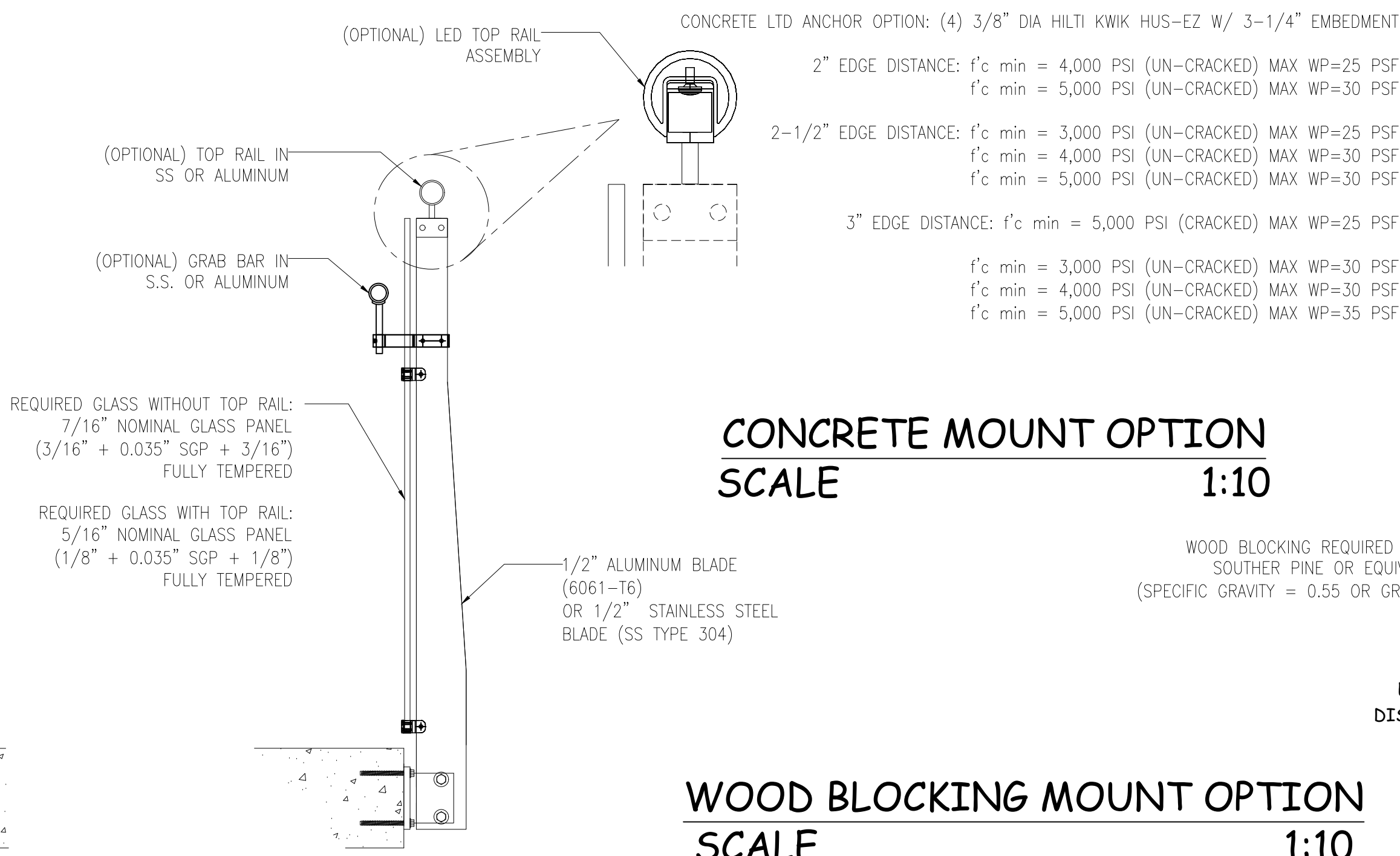
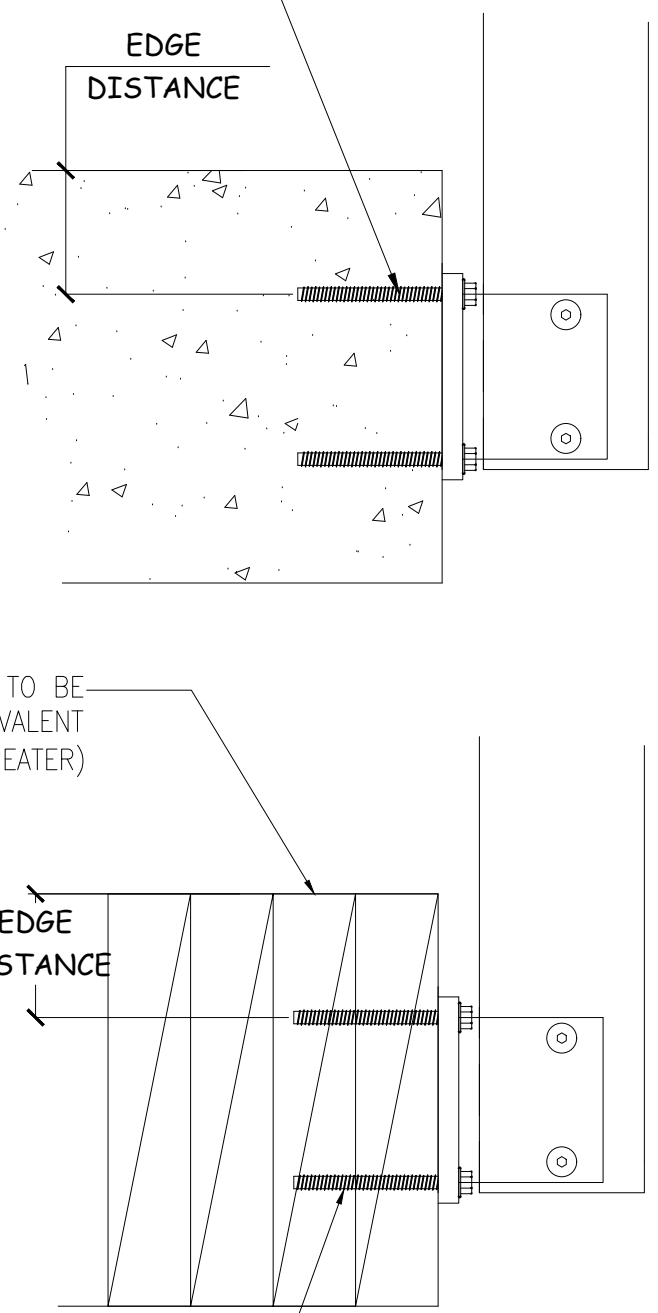


42" ELEVATION
SCALE 1:20



CONCRETE MOUNT OPTION
SCALE 1:10

WOOD BLOCKING MOUNT OPTION
SCALE 1:10



FASCIA MOUNT
SCALE 1:20

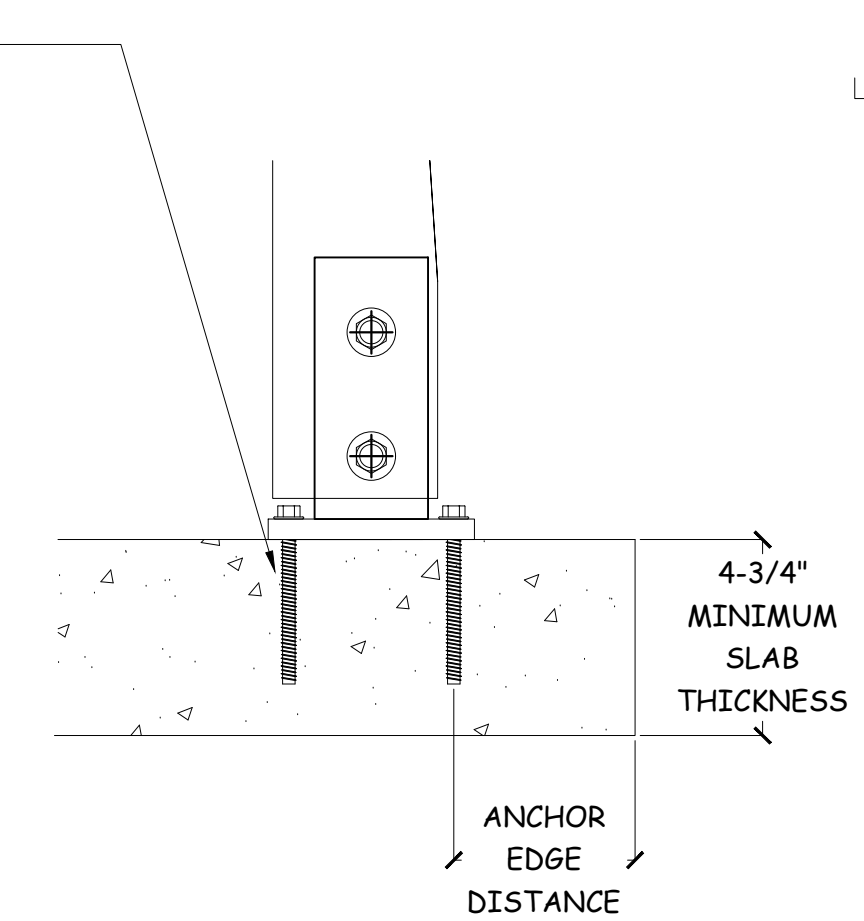
CONCRETE LTD ANCHOR OPTION: (4) 3/8" DIA HILTI KWIK HUS-EZ W/ 3-1/4" EMBEDMENT

2" EDGE DISTANCE: $f'c$ min = 4,000 PSI (UN-CRACKED) MAX WP=30 PSF
 $f'c$ min = 5,000 PSI (UN-CRACKED) MAX WP=35 PSF

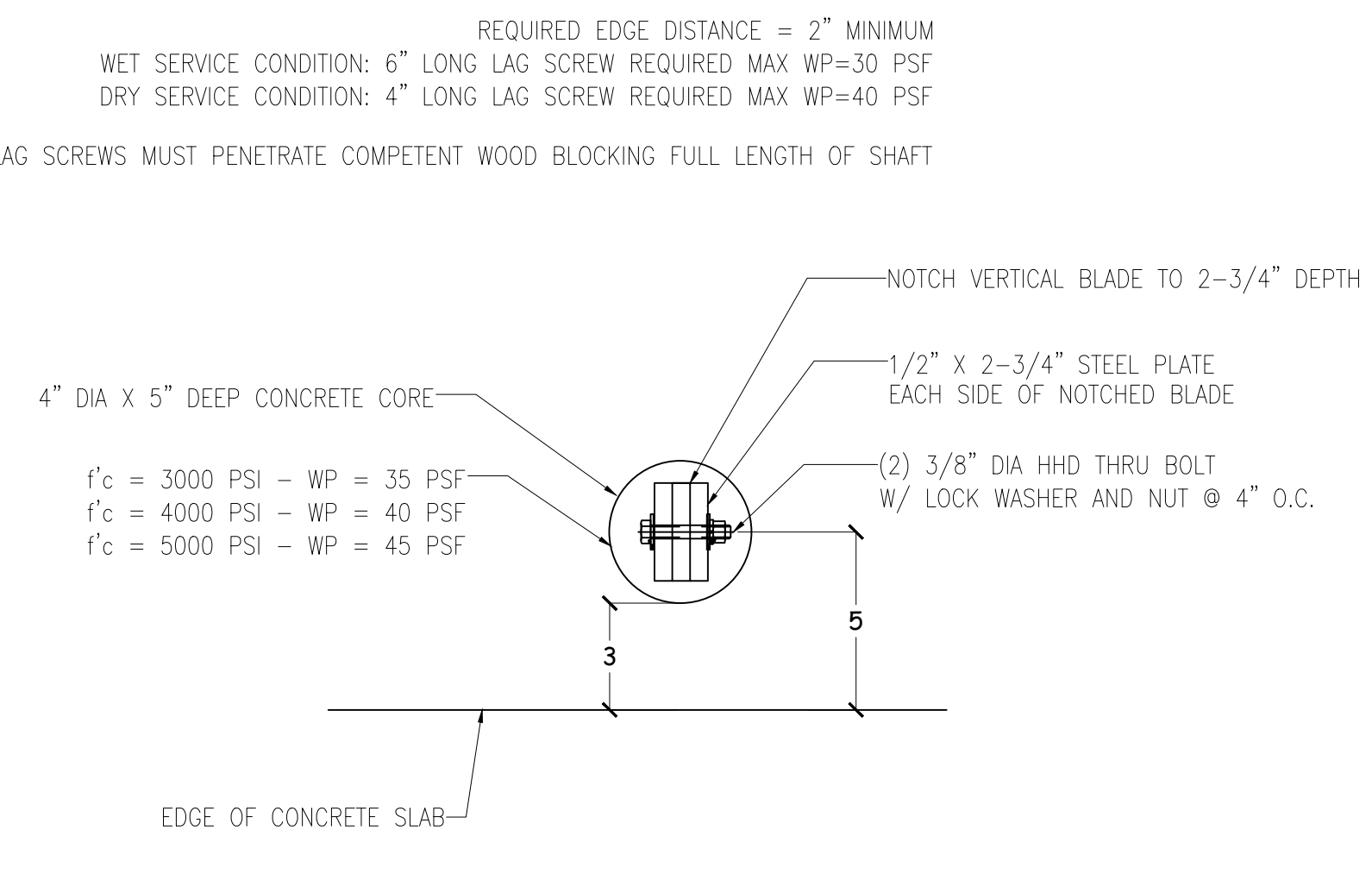
2-1/2" EDGE DISTANCE: $f'c$ min = 5,000 PSI (CRACKED) MAX WP=30 PSF
 $f'c$ min = 3,000 PSI (UN-CRACKED) MAX WP=30 PSF
 $f'c$ min = 4,000 PSI (UN-CRACKED) MAX WP=35 PSF
 $f'c$ min = 5,000 PSI (UN-CRACKED) MAX WP=40 PSF

3" EDGE DISTANCE: $f'c$ min = 4,000 PSI (CRACKED) MAX WP=30 PSF
 $f'c$ min = 5,000 PSI (CRACKED) MAX WP=30 PSF

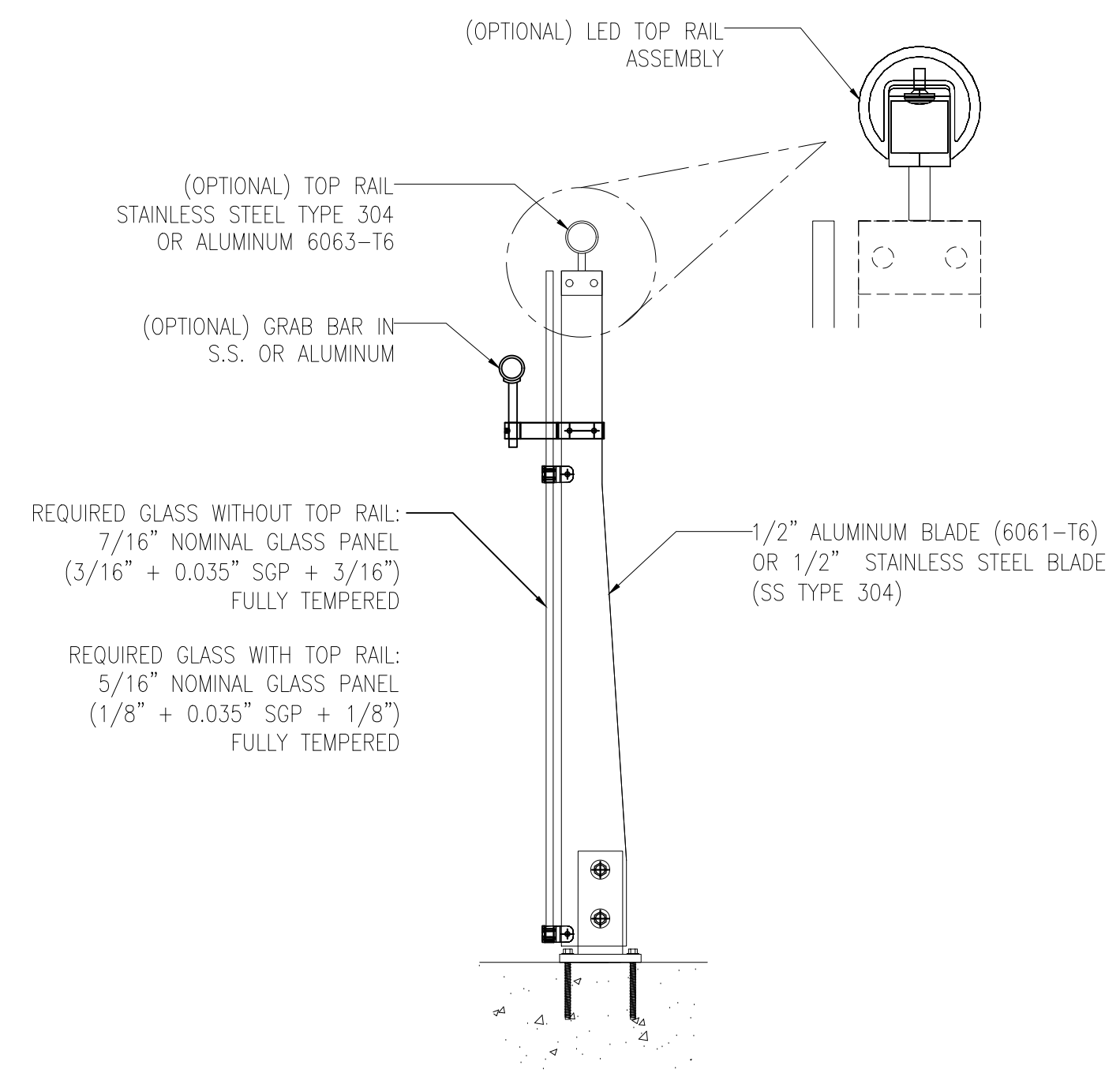
$f'c$ min = 3,000 PSI (UN-CRACKED) MAX WP=35 PSF
 $f'c$ min = 4,000 PSI (UN-CRACKED) MAX WP=40 PSF
 $f'c$ min = 5,000 PSI (UN-CRACKED) MAX WP=40 PSF



CONCRETE MOUNT OPTION
SCALE 1:10



CONCRETE CORE MOUNT OPTION
SCALE 1:10



SURFACE MOUNT
SCALE 1:20

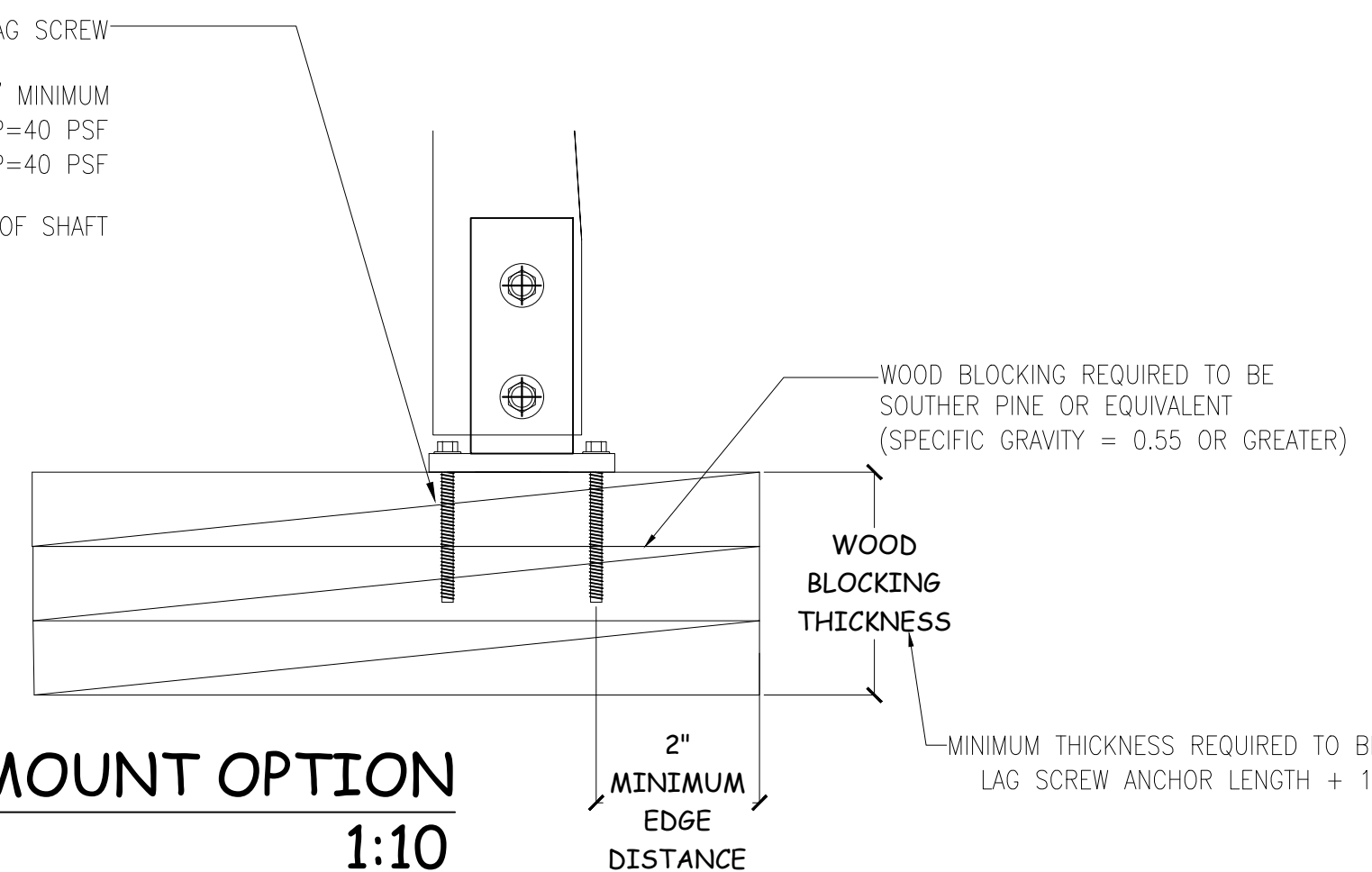
WOOD LAG SCREW ANCHOR OPTION: (4) 3/8" DIA LAG SCREW

REQUIRED EDGE DISTANCE = 2" MINIMUM

WET SERVICE CONDITION: 6" LONG LAG SCREW REQUIRED MAX WP=40 PSF

DRY SERVICE CONDITION: 4" LONG LAG SCREW REQUIRED MAX WP=40 PSF

LAG SCREWS MUST PENETRATE COMPETENT WOOD BLOCKING FULL LENGTH OF SHAFT



WOOD BLOCKING MOUNT OPTION
SCALE 1:10

No.	Revision/Issue	Date

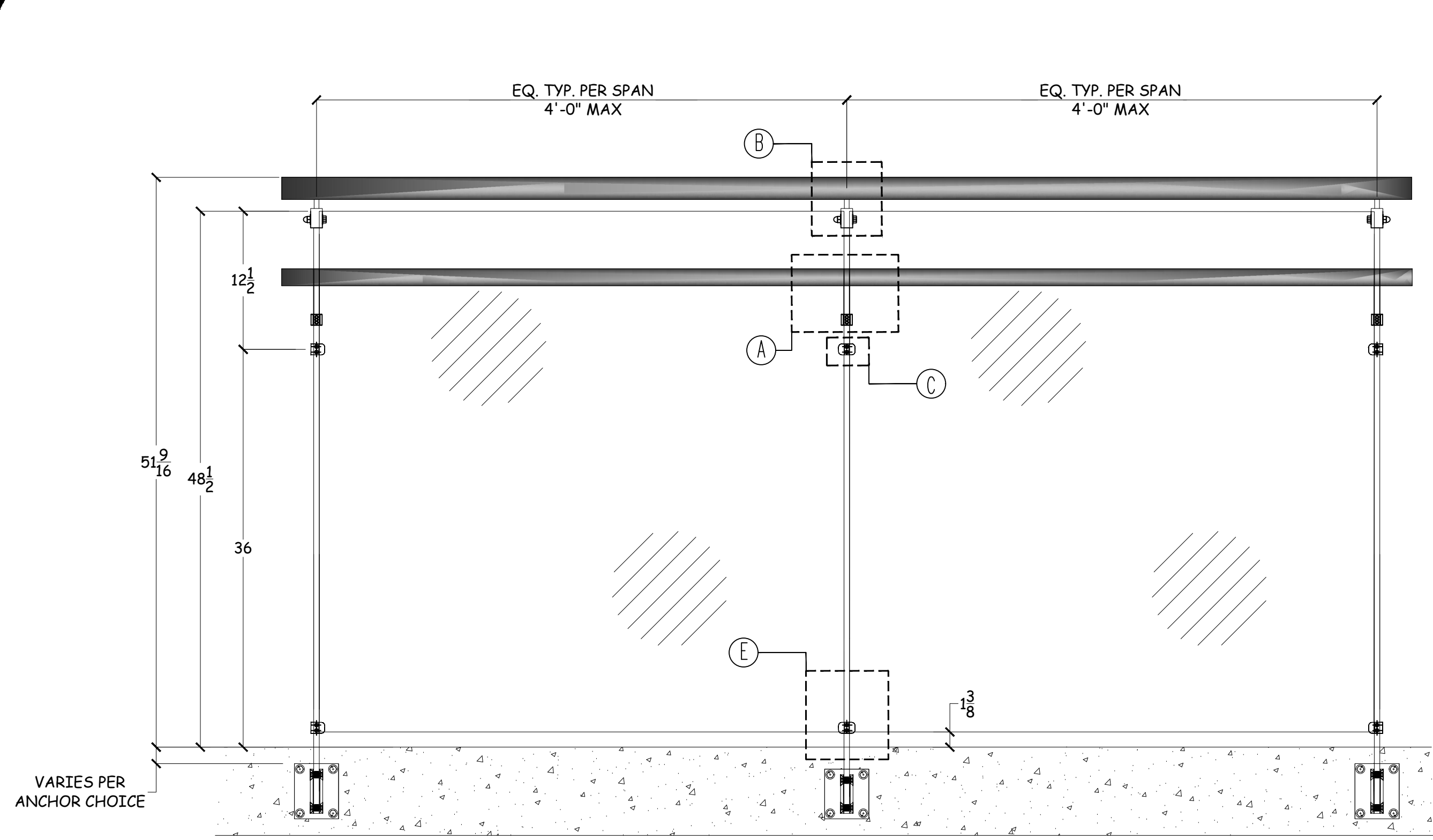
GRECO
Architectural Metal Products
A CSW Industrials Company

9410 EDEN AVE., HUDSON, FL 34667
Phone 727-372-1100 Fax 727-863-2724
www.GrecoRailings.com

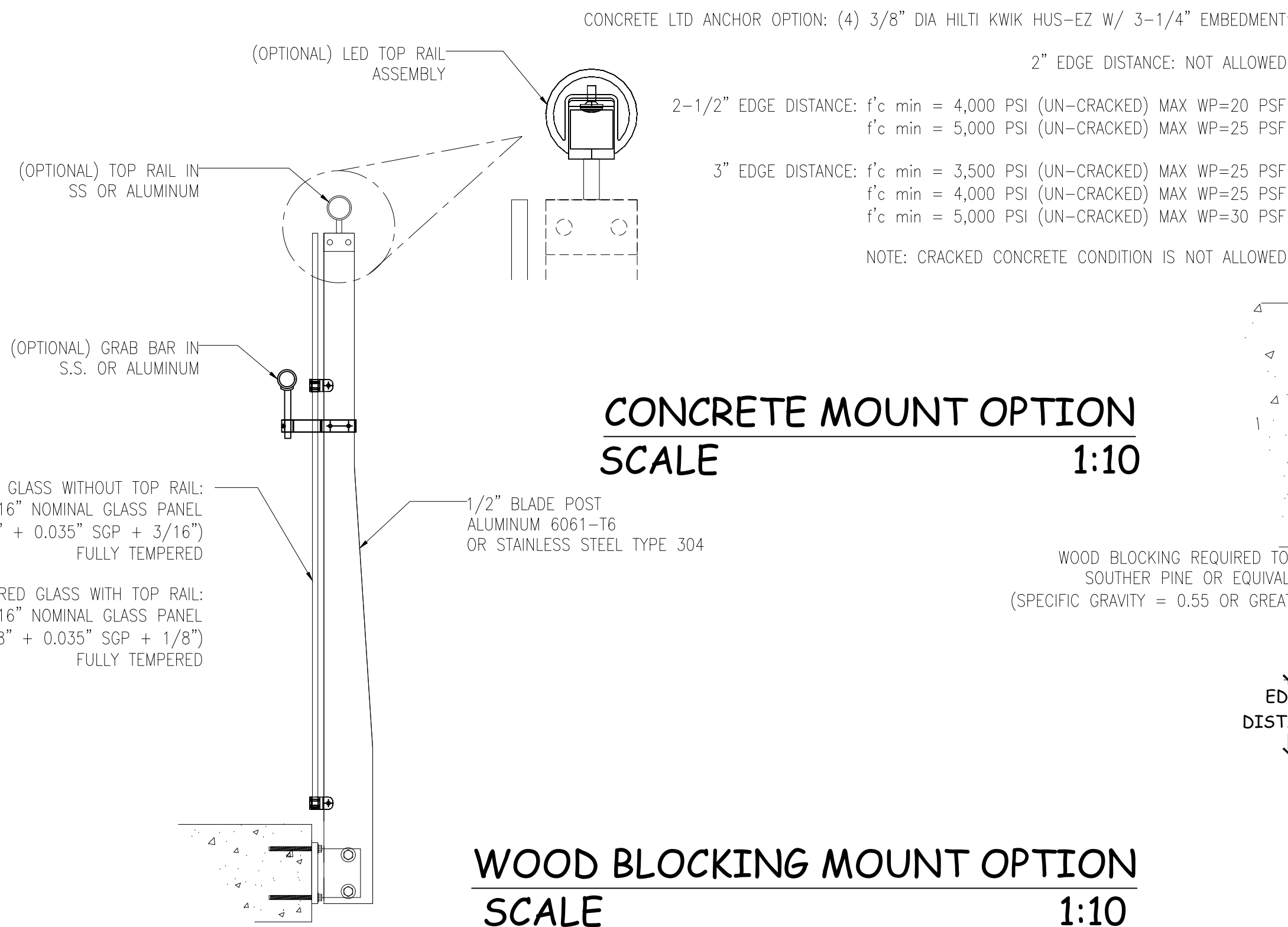
Project Name and Address

42" BLADE RAIL DESIGN PARAMETERS

Job #	Sheet
FINAL SET	1 OF 2
Date	06/30/2022
Scale	N.T.S.

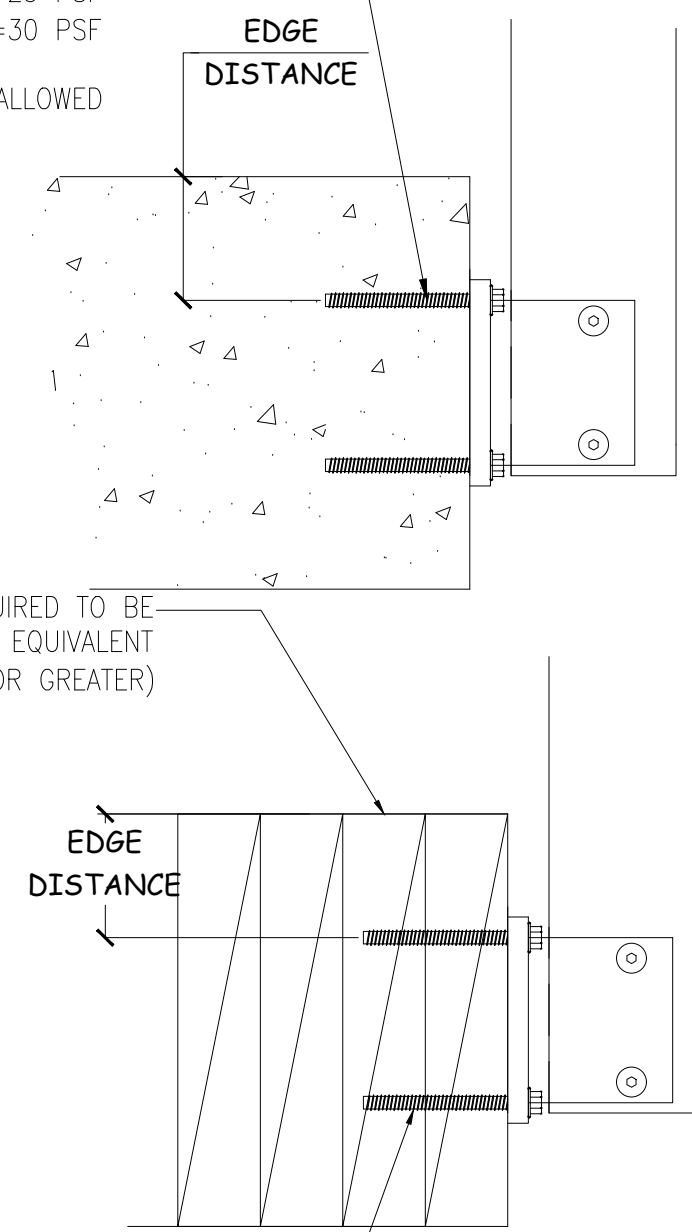


48" ELEVATION
SCALE 1:20

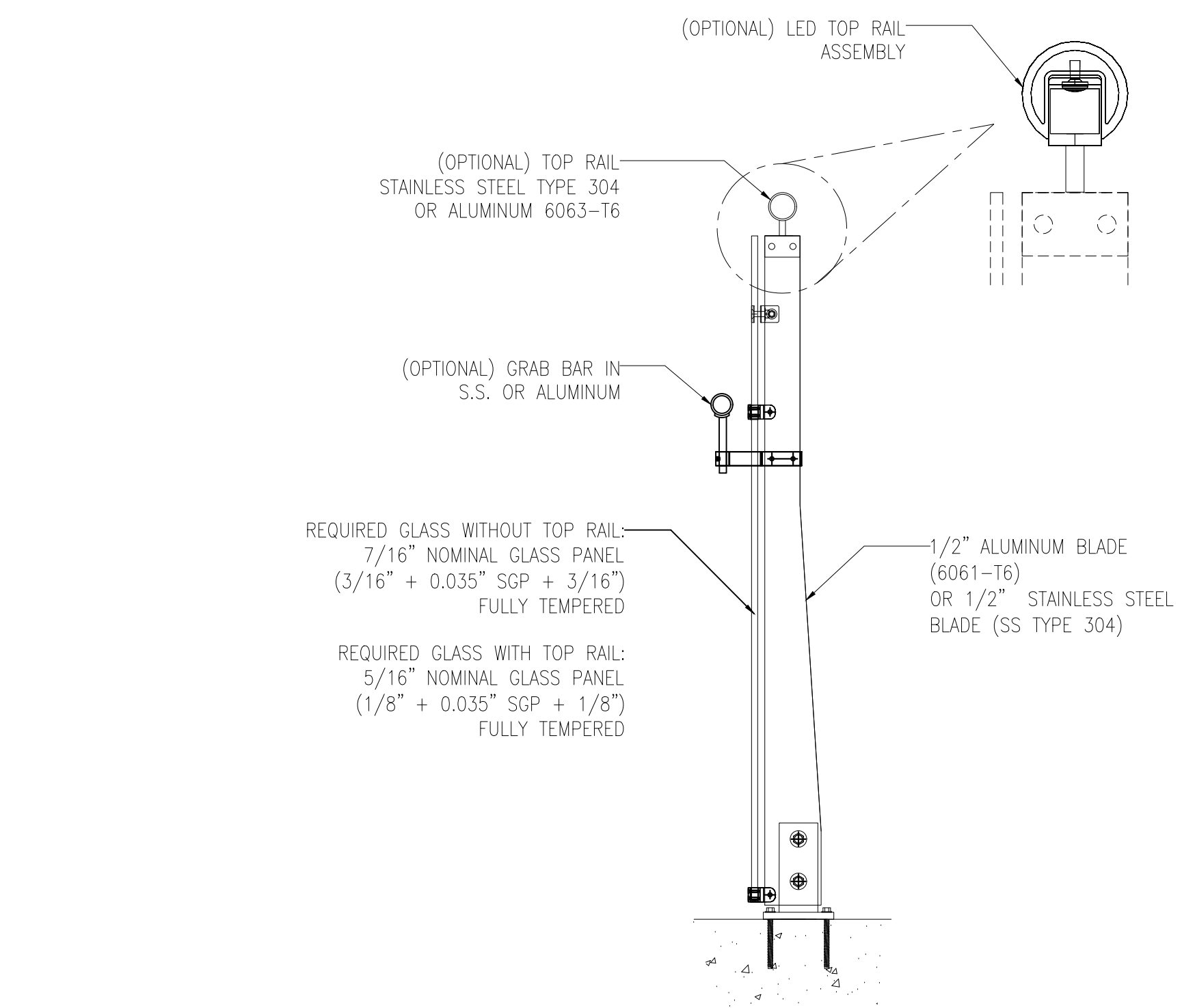


CONCRETE MOUNT OPTION
SCALE 1:10

WOOD BLOCKING MOUNT OPTION
SCALE 1:10



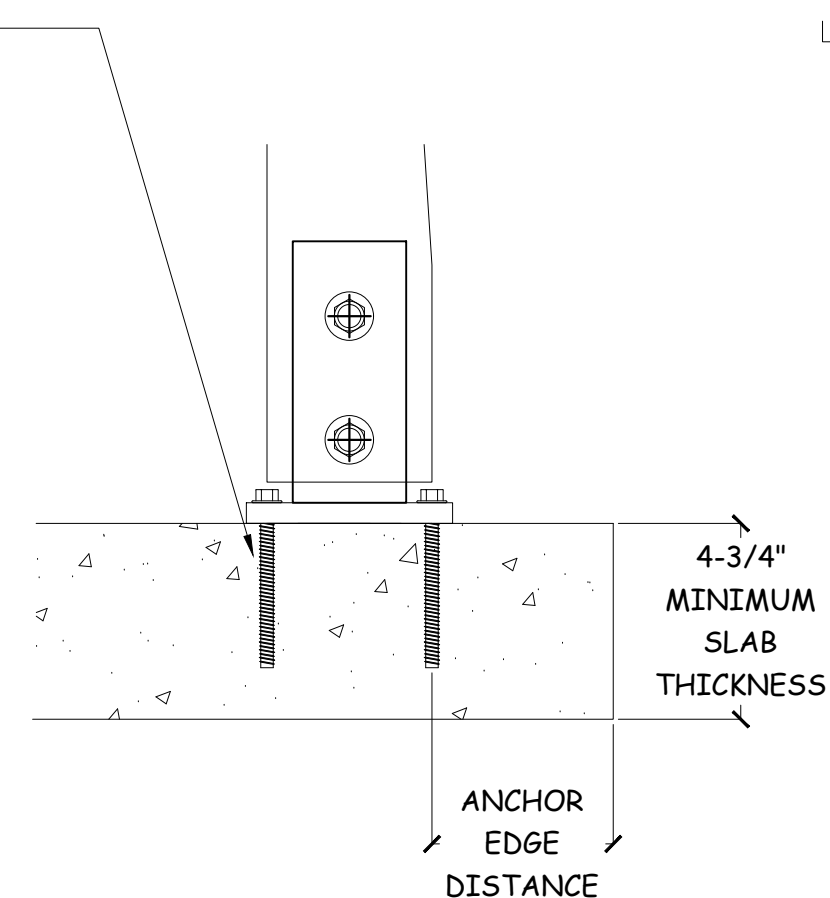
WOOD LAG SCREW ANCHOR OPTION: (4) 3/8" DIA LAG SCREW
 REQUIRED EDGE DISTANCE = 2" MINIMUM
 WET SERVICE CONDITION: 6" LONG LAG SCREW REQUIRED MAX WP=25 PSF
 DRY SERVICE CONDITION: 4" LONG LAG SCREW REQUIRED MAX WP=30 PSF
 LAG SCREWS MUST PENETRATE COMPETENT WOOD BLOCKING FULL LENGTH OF SHAFT



SURFACE MOUNT
SCALE 1:20

CONCRETE LTD ANCHOR OPTION: (4) 3/8" DIA HILTI KWIK HUS-EZ W/ 3-1/4" EMBEDMENT
 2" EDGE DISTANCE: f'c min = 5,000 PSI (UN-CRACKED) MAX WP=25 PSF
 2-1/2" EDGE DISTANCE: f'c min = 3,000 PSI (UN-CRACKED) MAX WP=25 PSF
 f'c min = 4,000 PSI (UN-CRACKED) MAX WP=30 PSF
 f'c min = 5,000 PSI (UN-CRACKED) MAX WP=30 PSF
 3" EDGE DISTANCE: f'c min = 5,000 PSI (CRACKED) MAX WP=25 PSF
 f'c min = 3,000 PSI (UN-CRACKED) MAX WP=25 PSF
 f'c min = 4,000 PSI (UN-CRACKED) MAX WP=30 PSF
 f'c min = 5,000 PSI (UN-CRACKED) MAX WP=30 PSF

CONCRETE MOUNT OPTION
SCALE 1:10

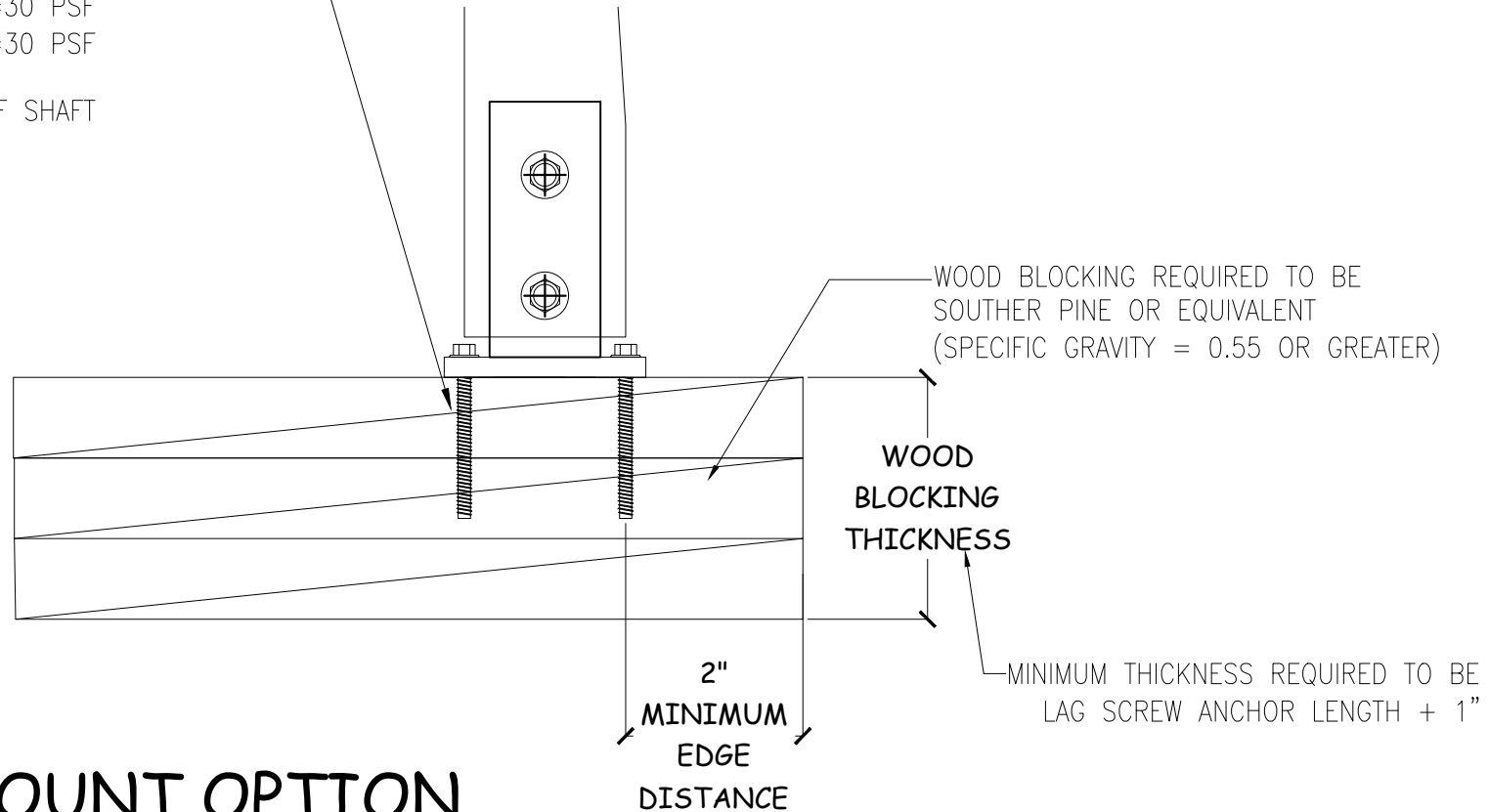


LAG SCREWS MUST PENETRATE COMPETENT WOOD BLOCKING FULL LENGTH OF SHAFT
 NOTCH VERTICAL BLADE TO 2-3/4" DEPTH
 1/2" X 2-3/4" STEEL PLATE EACH SIDE OF NOTCHED BLADE
 (2) 3/8" DIA HHD THRU BOLT W/ LOCK WASHER AND NUT @ 4" O.C.
 4" DIA X 5" DEEP CONCRETE CORE
 f'c = 3000 PSI - WP = 25 PSF
 f'c = 4000 PSI - WP = 30 PSF
 f'c = 5000 PSI - WP = 35 PSF

CONCRETE CORE MOUNT OPTION
SCALE 1:10

WOOD LAG SCREW ANCHOR OPTION: (4) 3/8" DIA LAG SCREW
 REQUIRED EDGE DISTANCE = 2" MINIMUM
 WET SERVICE CONDITION: 6" LONG LAG SCREW REQUIRED MAX WP=30 PSF
 DRY SERVICE CONDITION: 4" LONG LAG SCREW REQUIRED MAX WP=30 PSF
 LAG SCREWS MUST PENETRATE COMPETENT WOOD BLOCKING FULL LENGTH OF SHAFT

WOOD BLOCKING MOUNT OPTION
SCALE 1:10



No.	Revision/Issue	Date

GRECO
 Architectural Metal Products
 A CSW Industrials Company
 9410 EDEN AVE., HUDSON, FL 34667
 Phone 727-372-1100 Fax 727-863-2724
 www.GrecoRailings.com

Project Name and Address
48" BLADE RAIL
DESIGN PARAMETERS

Job # FINAL SET	Sheet 2 OF 2
Date 06/30/2022	Scale N.T.S.