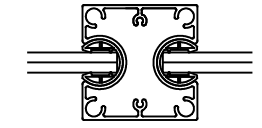
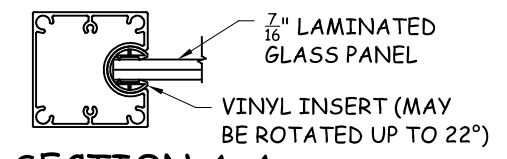


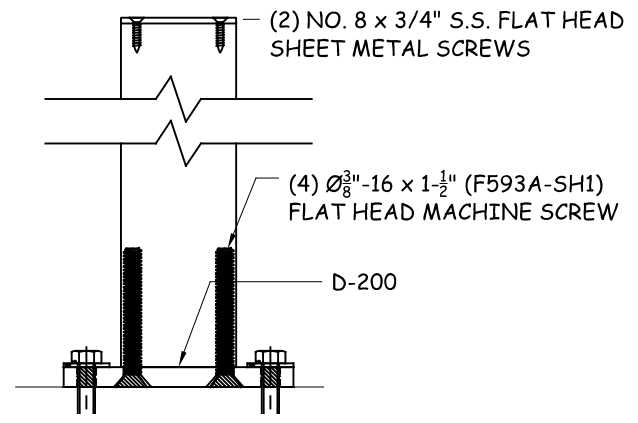
D-203 CORNER POST PROFILE
6005A-T61 ALUMINUM



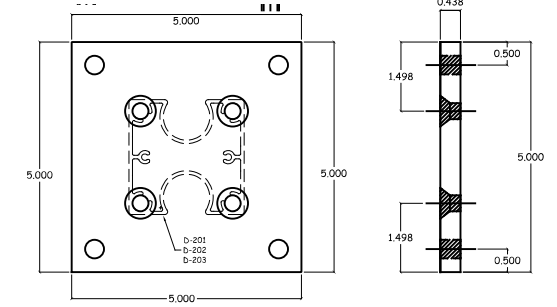
D-201 MIDDLE POST PROFILE
6005A-T61 ALUMINUM



SECTION A-A
GLASS INSTALL DTL.



BASE PLATE & END CAP ATTACHMENT DETAIL



D-200 BASE PLATE DETAIL
6061-T651 ALUMINUM

No.	Revision/Issue	Date

GRECO
Architectural Metal Products
A CSW Industrials Company

9410 EDEN AVE., HUDSON, FL 34667
Phone 727-372-1100 Fax 727-863-2724
www.GrecoRailings.com

Project Name and Address

ALUMIVIEW GUARDRAIL GLASS SYSTEM (TYP.)

Job #	Sheet
FINAL SET	1 OF 1
Date	06/30/2022
Scale	N.T.S.